

Technical Manual



The technical data are not binding and not expressly warranted characteristics of the goods. They are subject to change. Please consult our general conditions of supply.

Version 3.20

TABLE OF CONTENTS

General information	4
Connect pipes better, quicker and safer in various applications	5
High flexibility and safety margins	6
Features and unique patented solutions	7
Countless benefits	8
Approvals	10
In-house testing facilities	11
Type overview	14
Technical data	15
Technical data overview	16
Fitting instructions	20
Pipe dimensions and minimum pipe wall thickness at nominal pressure PN	28
Installation time	29
Accessories	30
Angular deflection	31
Axial misalignment	32
Retrofitting pipe sections and fittings	33
Axial movement / change in length	34
Bending / torsion	36
Underground pipelines	37
Freely installed pipelines	38
Installation of vertical pipelines	39
Electrical conductivity UNI-Flex / UNI-Rep	40
Electrical conductivity UNI-Grip	41
Product range	42
UNI-Grip S Ø 19 - 172 mm PN70/16	44
UNI-Grip S Ø 172 - 290 mm PN25/16	46
UNI-Grip SE Ø 64 - 172 mm PN16/10	48
UNI-Grip S Ø 210 - 374 mm PN16/10	50
UNI-Grip S Ø 172 - 516 mm PN10/6	52
UNI-Grip S Ø 288 - 745 mm PN6/2.5	54
UNI-Plastgrip S Ø 39 - 172 mm PN16/10	56
UNI-Plastgrip S Ø 172 - 363 mm PN16/10	58
UNI-Plastgrip SE Ø 72 - 172 mm PN10/6	60
UNI-Plastgrip S Ø 172 - 515 mm PN10/6	62
UNI-Plastgrip S Ø 312 - 640 mm PN6/2.5	64
UNI-Combigrip S Ø 39 - 172 mm PN16/10	66
UNI-Combigrip S Ø 172 - 363 mm PN16/10	68
UNI-Combigrip SE Ø 72 - 172 mm PN10/6	70
UNI-Combigrip S Ø 172 - 515 mm PN10/6	72
UNI-Combigrip S Ø 312 - 640 mm PN6/2.5	74
UNI-Flex S Ø 19 - 172 mm PN25/16	76
UNI-Flex S Ø 185 - 745 mm PN25/16	78
UNI-Flex S Ø 756 - 930 mm PN25/16	80
UNI-Flex S Ø 185 - 745 mm PN16/10	82
UNI-Flex S Ø 756 - 1452 mm PN16/10	84
UNI-Flex S Ø 277 - 745 mm PN10/6	86
UNI-Flex S Ø 756 - 1471 mm PN10/16	88
UNI-Flex S Ø 520 - 745 mm PN6/2.5	90
UNI-Flex S Ø 756 - 2090 mm PN6/2.5	92
UNI-Rep S Ø 33 - 172 mm PN25/16	94
UNI-Rep S Ø 172 - 930 mm PN25/16	96
UNI-Rep S Ø 172 - 1452 mm PN16/10	98
UNI-Rep S Ø 264 - 1471 mm PN10/6	100
UNI-Rep S Ø 507 - 2090 mm PN6/2.5	102
Inserts	104
UNI-Fire Ø 21 - 425 mm	106
Checklist for information request	107
Project pictures	108

UNITED PIPELINE PRODUCTS B.V.



Picture: United Pipeline Products B.V. at Aquatech Amsterdam 2017

Dear customers,

We are very proud to present you our new company, UNI-Coupling. After 3 years of development we have succeeded in producing an improved stainless steel flexible grip coupling for connecting pipes.

Of course, we have passed all the tests necessary to get the approvals for the shipping industry (ABS, DNV-GL, LR, RINA, KS).

Beyond that we have also improved the following:

1. Patented gasket, no strip needed to cover the gap between 2 pipes.
2. Standard W5, 316 Ti stainless steel.
3. Wider range, means 25% less stock.

As the holding company United Pipeline Products, we have invested in all the latest new technology such as;

- geothermal installation, ultrasonic stain bath,
- automation systems (ERP, EXACT, bar code printers, VOIP),
- production technologies (MIG/MAG/TIG welding robots),
- PLC-controlled automated cutting and punching line,
- NEN-EN-ISO 9001:2008 and NEN-EN-ISO 14001:2004.

Many thanks for your interest in our products. If there are still any questions, please let us know. Our technical support team will be happy to help you.

Piet van de Warenburg

Twan van Heesch

CONNECT PIPES BETTER, QUICKER AND SAFER IN VARIOUS APPLICATIONS

With the UNI-Coupling you connect pipes the easy way. Better than a threaded connection, quicker than a welded connection and safer than a flanged connection.

The stainless steel UNI-Coupling has a number of advantages compared to similar couplers. The UNI-Coupling has two specific parts making this coupler unique. A patented seal that eliminates the risk of leakage and a special shaped anchoring grip ring, which ensures a reliable, restraint connection.

Moreover the UNI-Coupling can be installed fast and thanks to the wide range, it can effortlessly connect different types of pipes with various outside diameters. Better, quicker and safer than you are used to. The UNI-Coupling offers you an easy to install, time saving and money saving solution.

The UNI-Coupling has approvals for several applications such as shipbuilding, offshore, water treatment, chemical process industry, commercial buildings and infrastructure.

Applications:

- + Reverse osmosis
- + Process water
- + Oil pipelines
- + Gas turbines
- + Cooling water
- + Compressed air
- + Rinse water
- + Emergency showers
- + Extinguishing lines
- + Tank storage
- + Bilge water
- + Ballast water
- + Sprinkler lines
- + Drinking water
- + District heating
- + Air conditioning
- + Wastewater
- + Water distribution
- + Gas distribution



HIGH FLEXIBILITY AND SAFETY MARGINS

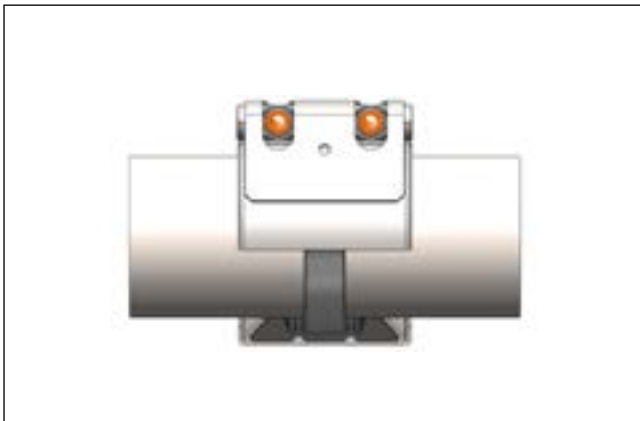
The basic principle of UNI-Coupling.

Two types of UNI-Coupling

UNI-Coupling applies one unique technical principle in two basic types of products and is available for any type of pipe combination to be connected. Based on the well proven coupling technology, we combine various pipe materials for different applications.

Safety and reliability has been proven and certified by public authorities, insurance companies, technical inspectors and licensing institutes for all the major industrial sectors. You can rely on the UNI-Coupling.

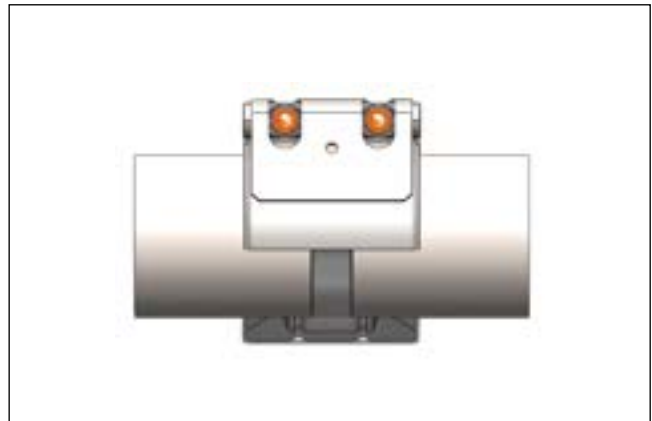
UNI-Grip / UNI-Plastgrip / UNI-Combigrip



Axially restrained



UNI-Flex / UNI-Rep



Axially flexible



FEATURES AND UNIQUE PATENTED SOLUTIONS

Patented seal with an integrated compensation solution

Once installed, the unique seal with coupling compensation beads makes the use of stainless steel inserts superfluous in most applications. This actively prevents potential corrosion problems.

There will be a progressive sealing effect due to the wedged shaped structure. This ensures a watertight sealing even at high pressures. Due to the solid seal design (without thin lips) robustness of the seal guarantees durability even under harsh conditions.

Fire protection for your safety

For applications in which a fire protection must be guaranteed we meet the high demands of the shipbuilding industry according to ISO 19921/19922. These high requirements are ensured by our additional fire protective housing named UNI-Fire.

Progressive anchoring with spherical profile

Internal pressure or axial forces cause tensile loads which is absorbed by the progressive anchoring ring.

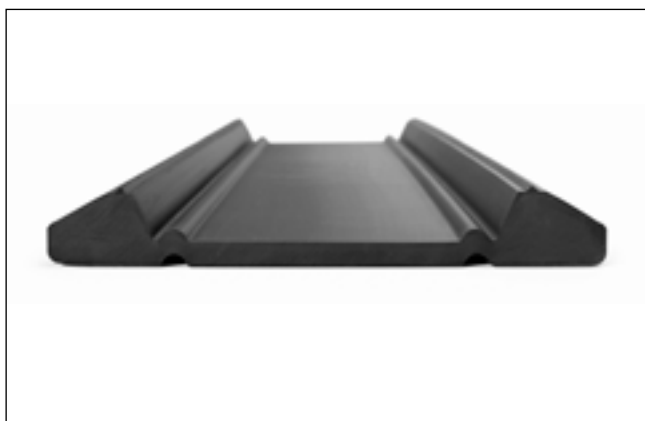
The teeth show a spherical profile which ensures a high tip hardness and therefore a solid grip even on the toughest pipe surfaces. Especially important when it comes to thin walled stainless steel or cast iron pipes.

Thanks to the simultaneous cuts of the teeth a firm grip on other surfaces like metallic coated pipes is also guaranteed. This because the teeth penetrate the outer surface and anchor into the pipe wall.

Patented seal



Axially flexible



Progressive anchoring



Axially restrained



COUNTLESS BENEFITS

Universal use

- + Suitable for any pipe material
- + Compatible with any traditional jointing system
- + Joins pipes of similar or dissimilar materials
- + Leakproof joint for liquids, gas and solids
- + Quick and simple repairs of damaged pipes without service interruptions
- + Installation and sealing principle consistent throughout the range
- + Axially restrained or axially flexible (compensator) versions available

Economical

- + Pre-assembled design ensures simple and quick installation
- + For use on plain end pipes without the need for costly pipe end preparation
- + Simply cut pipes to length, center coupling and tighten bolts
- + Suitable for thick and thin wall pipes
- + No expensive installation tools required

Reliable

- + Stress free, flexible pipe joint
- + Compensates axial movement and angular deflection
- + Pressure resistant and leak tight even with inaccurate pipe assembly
- + Dampens water hammer, vibration and structure-borne noise

Easy handling

- + Detachable and reusable
- + Maintenance free and trouble free
- + No time consuming alignment and fitting work
- + Easy installation technology
- + No heat or fire hazard: can be fitted in fire risk or confined spaces without special equipment

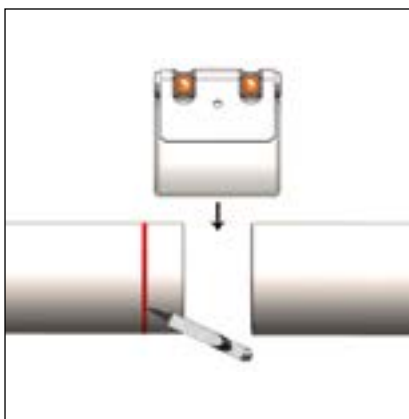
Durable

- + Progressive sealing effect
- + Progressive anchoring effect
- + Corrosion resistant and temperature resistant
- + Good resistance to chemicals
- + Long service life

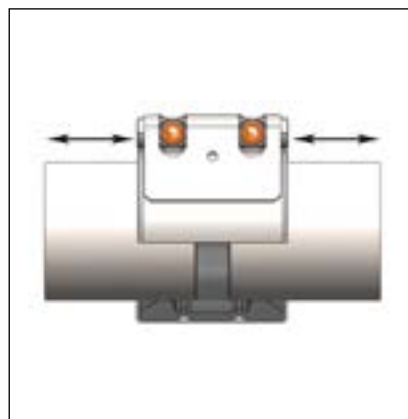
Space saving

- + Compact design for space saving installation of pipes
- + Needs little space
- + Choice of mounting position
- + Lightweight
- + Increases the payload

Universal use



Reliable



Space saving



Safe

- + Absorbs vibrations/oscillations
- + Reduces pressure surges
- + Reduces fatigue fractures
- + No fire or explosion hazard during installation
- + No cost for protective measures
- + Quadruple safety
- + Absorbs overloading through flexibility

Damping

- + Increases the life of valves and systems
- + Compensates axial offset and angles
- + Coupler and compensator in one

Long-lasting stress free

- + Corrosion resistant
- + Good resistance to temperature and chemicals
- + Low torque guarantees long service life

PN16; Ø 114,3 mm

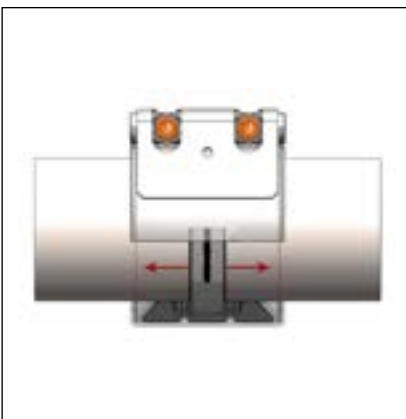
UNI-Coupling Connection (2 x DN80) 8,7 kg



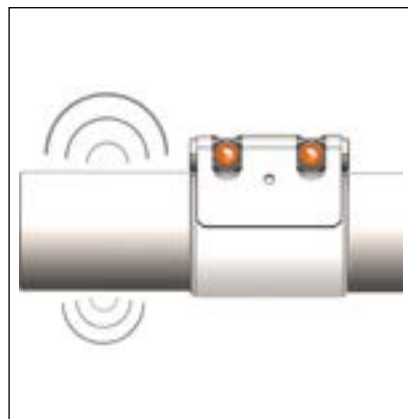
Flange Connection (2 x 2 pieces) 21,9 kg



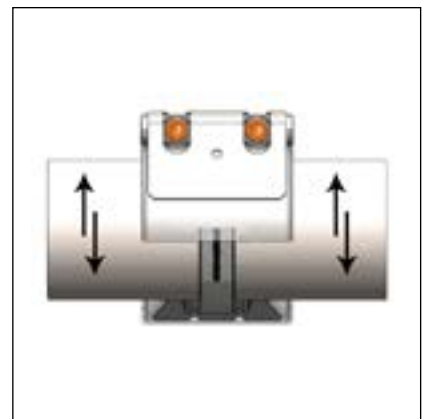
Safe



Damping



Long lasting stress free



APPROVALS

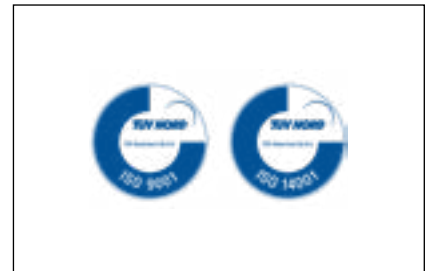
UNI-Coupling has several approvals, more approvals are pending. Certificates available on request.

DVGW



- + DIN EN 681
 - + DIN EN 682
 - + KTW 1.3.13
 - + W270
- ISO: 9001:2008 +
ISO: 14001:2004 +

TÜV NORD



IACS



- + According to IACS Standard P2 Rules for piping design, construction and testing

Bureau Veritas



Class NK



Lloyd's Register



DET Norske Veritas / Germanischer Lloyd's



RINA Services



Korean Register



American Bureau of Shipping



Russian Maritime Register of Shipping



China Classification Society



IN-HOUSE TESTING FACILITIES

Corrosion test

264 hours salt spray corrosion test. Tested according to ASTM B117, DIN-EN-ISO 9227.

- + Test results and detailed specifications available on request



Fire test

Certified custom build fire test bench. Capable of testing under conditions up to 850°C and to a maximum of 24 bar pressure.

- + Test results and detailed specifications available on request



Vacuum test

Custom build vacuum test capable of testing up to a vacuum of 0,1 bar absolute pressure.

- + Test results and detailed specifications available on request



Youtube Channel

Check our UNI-Coupling Youtube Channel for Testing video's / Fitting instructions and more...

Vibration test

Custom build vibration bench capable of testing diameters up to DN600 under 3 different frequencies and 3 different RPM's.

- + Test results and detailed specifications available on request



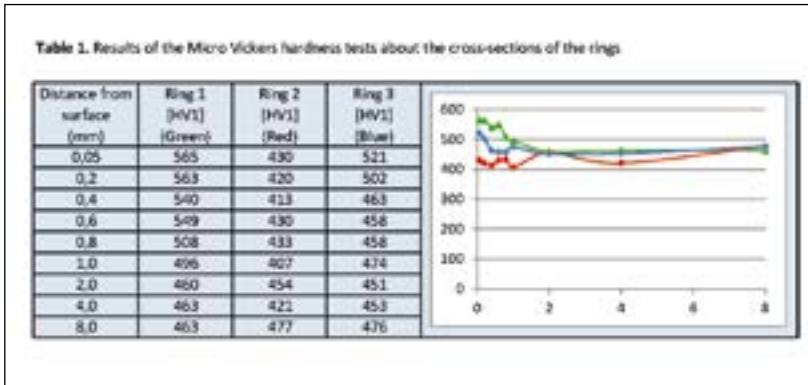
Gasket test

- + No pressure on gasket centre
- + No strip insert
- + No corrosion



Anchoring test

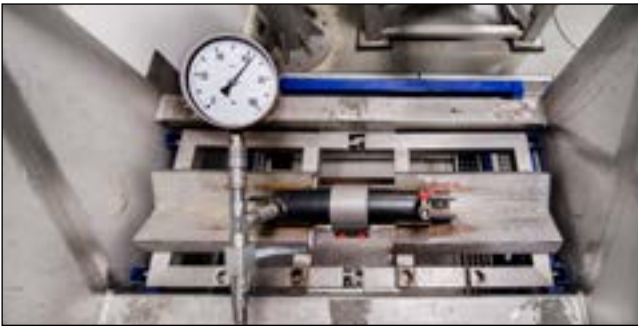
- + Results: hardening from: 1450 N/mm² (460 HV1) to 1850 N/mm² (565 HV1 = 53 HRC)
- + Ring 1 = UNI-Coupling (green), ring 2 (red) and 3 (blue) = competitors
- + Test results and detailed specifications available on request



Tightness and burstpressure test

Custom build pressure bench capable of testing all diameters, pipe materials and pressure ratings.

- + Test results and detailed specifications available on request



Pullout test

Custom build pullout bench capable of testing diameters up to DN750 under maximum pullout force up to 50 tons.

- + Test results and detailed specifications available on request



TYPE OVERVIEW

The UNI-Coupling is available in various types.

UNI-Grip

- + To connect metal - metal
- + For restraint jointing
- + Patented wedge shaped seal
- + 2 grip rings for metal pipes
- + Stainless steel 1.4571 (W5) quality

UNI-Plastgrip

- + To connect plastic - plastic
- + For restraint jointing
- + Patented wedge shaped seal
- + 2 grip rings for plastic pipes
- + Stainless steel 1.4571 (W5) quality

UNI-Combigrp

- + To connect metal - plastic
- + For restraint jointing
- + Patented wedge shaped seal
- + 1 grip ring for metal pipes
- + 1 grip ring for plastic pipes
- + Stainless steel 1.4571 (W5) quality

UNI-Flex

- + To connect metal - plastic
- + To connect metal - metal
- + To connect plastic - plastic
- + For flexible jointing
- + Patented wedge shaped seal
- + Stainless steel 1.4571 (W5) quality

UNI-Rep

- + To connect metal - plastic
- + To connect metal - metal
- + To connect plastic - plastic
- + For flexible jointing
- + Patented wedge shaped seal
- + Clamp mechanism for repairing under pressure
- + Stainless steel 1.4571 (W5) quality

With outlet

- + Pipe coupling with outlet for use on all pipe materials
- + Coupling with outlet available on request
- + Stainless steel 1.4571 (W5) quality

UNI-Grip



UNI-Plastgrip



UNI-Combigrp



UNI-Flex



UNI-Rep



UNI-Outlet



Technical Data

TECHNICAL DATA OVERVIEW

Type	Ø (mm)	Width (mm)	Pressure PN 	Pressure PN 
 UNI-Grip	19 - 172	45 - 110	70 to 32	16
	185 - 745	138 - 146	25 to 6	16 to 2.5
 UNI-Plastgrip	39 - 172	60 - 110	16	10
	172 - 640	140 - 146	16 to 6	10 to 2.5
 UNI-Combigrip	39 - 172	60 - 110	16	10
	172 - 640	140 - 146	16 to 6	10 to 2.5
 UNI-Flex	19 - 172	45 - 110	25	16
	188 - 2090 Bigger on request	140 - 206 280 - 420	25 to 6	16 to 2.5
 UNI-Rep	33 - 172	45 - 110	25	16
	185 - 2090 Bigger on request	140 - 206 280 - 420	25 to 10	16 to 6

Working pressure for industrial and land-based applications with 1.5x safety factor in bars

Working pressure for marine applications with 4x safety factor in bars

Wider range	OD (mm)	Number of couplers	Material quality	Material thickness
UNI-Coupling	19 - 47.5 47.5 - 172	8 15	standard W5 standard W5	to 5 mm thickness to 5 mm thickness

Connecting	Metal - Metal	Plastic - Plastic	Metal - Plastic	Restrained / Flexible
UNI-Grip	X			restrained
UNI-Plastgrip		X		restrained
UNI-Combigrip			X	restrained
UNI-Flex	X	X	X	flexible
UNI-Rep	X	X	X	flexible

Sealing material	EPDM	NBR	Viton (on request)	Silicone (on request)
Temperature range	-30 °C - +125 °C	-20 °C - +80 °C	-20 °C - +180 °C	
Medium	drinking water, wastewater, compressed air, alcohol and solids	water, gas, oil, fuel, and other hydrocarbons	ozone, oxygen, acids, gas, oil and fuel (only with strip insert)	

Quality	Housing	Lock bars	Bolts	Anchoring
W5	1.4571 / 316 Ti	1.4571 / 316 Ti	A4 – 80 / 316 Ti	1.4404 / 316 L & 1.4310 / 301

TECHNICAL DATA OVERVIEW

UNI-Flex & UNI-Rep couplings are available in multiple widths

Type	Ø (mm)	Width (mm)	Pressure PN	
 <p>UNI-Flex / UNI-Rep</p>	250 - 2090 Bigger on request	210	Up to 25	 Working pressure for industrial and land-based applications with 1.5x safety factor in bars
 <p>UNI-Flex / UNI-Rep</p>	300 - 2090 Bigger on request	280	Up to 25	
 <p>UNI-Flex / UNI-Rep</p>	300 - 2090 Bigger on request	420	Up to 25	



Sealing material	EPDM	NBR	Viton	Silicone (on request)
Temperature range	-30 °C - +125 °C	-20 °C - +80 °C	-20 °C - +180 °C	
Medium	drinking water, wastewater, compressed air, alcohol and solids	water, gas, oil, fuel, and other hydrocarbons	ozone, oxygen, acids, gas, oil and fuel (only with strip insert)	
Quality	Housing	Lock bars	Bolts	Anchoring
W5	1.4571 / 316 Ti	1.4571 / 316 Ti	A4 – 80 / 316 Ti	1.4404 / 316 L & 1.4310 / 301

FITTING INSTRUCTIONS UNI-GRIP / UNI-PLASTGRIP / UNI-COMBIGRIP / UNI-FLEX

Fitting instructions			
Installatie-instructie Montageanleitung Instructions de montage		Instrucciones de montaje Инструкции по установке Instrukcije za montažu	
UNI-Grip (G)  metal/metal 	UNI-Plastgrip (PG)  plastic/plastic 	UNI-Combigrip (CG)  plastic/metal 	UNI-Flex (F)  all 

UNICOUPLING

DIN 86128-1
86128-2

The contents of these installation instructions are not legally binding. UNI-Coupling B.V. makes no claim, promise or guarantee about the completeness, accuracy, recency or adequacy of information and is not responsible for misprints, out-of-date information, or errors.

De inhoud van deze installatie-instructies zijn niet juridisch bindend. UNI-Coupling B.V. maakt geen aanspraak, belofte of garantie over de volledigheid, nauwkeurigheid, recentheid of geschiktheid van de informatie en is niet verantwoordelijk voor drukfouten, verlopen informatie, of fouten.

Der Inhalt dieser Einbauanleitung ist nicht rechtsverbindlich. UNI-Coupling B.V. erhebt nicht den Anspruch und übernimmt keine Garantie/Gewährleistung für die, auf Vollständigkeit, Richtigkeit, Aktualität und Eignung der Informationen und ist nicht für Druckfehler verantwortlich.

Le contenu de ces instructions d'installation ne sont pas juridiquement contraignant. UNI-Coupling B.V. n'a pas la prétention, promesse d'une garantie quant à l'exhaustivité, l'exactitude, la récence ou la pertinence des informations et ne sont pas responsables de toute erreur typographique, de l'information sur-of-date, ou erreurs.

El contenido de estas instrucciones de instalación no es jurídicamente vinculante. UNI-Coupling B.V. no declara, promete o garantiza la integridad, exactitud, actualidad o suficiencia de la información y no es responsable de errores de imprenta, información anticuada, o equivocaciones.

Содержащаяся в настоящей брошюре информация носит рекомендательно-информационный характер и не является законодательно-нормативной. UNI-Coupling B.V. оставляет за собой право на внесение изменений в содержащуюся информацию в случаях модернизации или улучшения представленной в каталоге продукции без предварительного уведомления кого-либо и не несет ответственности за использование устаревших данных или ошибок, возникшие в результате опечаток или неточности прочтения. Все права на представленную в каталоге информацию защищены, включая копирование самого каталога или любой его части.

Sadržaj ovih uputa za ugradnju-montažu nisu pravno obvezujuće. UNI-Coupling B.V. zadržava pravo izmjene podataka sadržanih u ovoj brošuri u slučaju modernizacije i poboljšanja bez prethodne najave. UNI-Coupling B.V. nije nikome odgovorna za korištenje zastarjelih podataka ili tipografske greške i netačnosti.



Youtube Channel

Check our UNI-Coupling Youtube Channel for Testing video's / Fitting instructions and more...

INSTALLATION CONDITIONS

1. Installation conditions

- Installatievoorwaarden
- Einbaubedingungen
- Conditions d'installation

- Condiciones de instalación
- Условия установка
- Uслови (uvjeti) ugradnje

1.

UNI COUPLING 1+4 0516 00 00 123456789
 EPDM 30 Nm PN 16 25 bar 20.1 MPa 280 psi 302 psi Made in Holland from national polymers METAL - PULL OUT REQUIRED - METAL
 NBR For water, gases, oils, fuels and other hydrocarbons -20°C - +80°C
 EPDM For drinking water, waste water, air and solids +172 - -30°C - +125°C +180 - -20°C - +80°C

EPDM
 Voor drinkwater, afvalwater, lucht en vaste stoffen.
 Für Trinkwasser, Abwasser, Luft und Feststoffe.
 Pour l'eau potable, eau usées, de l'air et des solides.
 Para agua potable, agua residual, aire y sólidos.
 Питьевая вода, отработанная вода, воздух и твердые вещества.
 Pitiša voda, odpadna voda, zrakuh i tvrdi tjestine.

NBR
 Voor water, gas, olie, brandstoffen en andere koolwaterstoffen.
 Für Wasser, Gas, Öl, Kraftstoff und andere Kohlenwasserstoffe.
 Pour l'eau, gaz, huiles, carburants et autres hydrocarbures.
 Para agua, gases, aceites, combustibles y otros hidrocarburos.
 Вода, газ, нефть, топливо и другие углеводороды.
 вода, плин, нафта, гориво i ostali ugljikovodici.

2.

OD (mm)	C_{max} (mm)
21 - 35	10
36 - 52	15
53 - 63	25
64 - 129	30
130 - 2000	40

3.

OD (mm)	Δ
21 - 64	5'
64 - 223	4'
223 - 613	2'
613 - ∞	1'

4.

5.

6.

7.

UNI COUPLING 1+4 0516 00 00 123456789	ΔL in mm	METAL	METAL
1.5-F / 1.5-F / 1.5-F / 1.5-F	5		
2.5-F	10		
3.5-F	15		
4.5-F	20		
5.5-F	20		

PN 16 25 bar
202 psi 302 psi

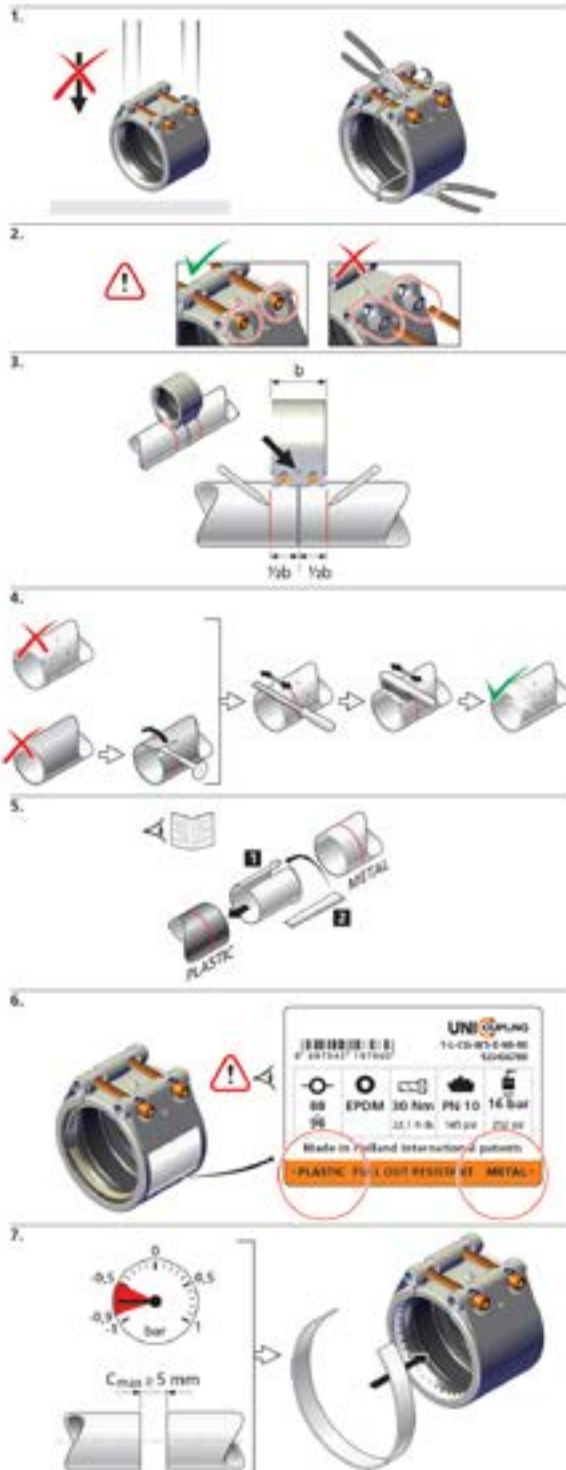
8.

Diagram	Material	Compatibility
A	EPDM	A - C
B	NBR	A - B - C
C	EPDM	A - B
D	NBR	A - B
E	EPDM	A - B
F	NBR	A - B
G	EPDM	A - B
H	NBR	A - B

PREPARATIONS AND FITTING

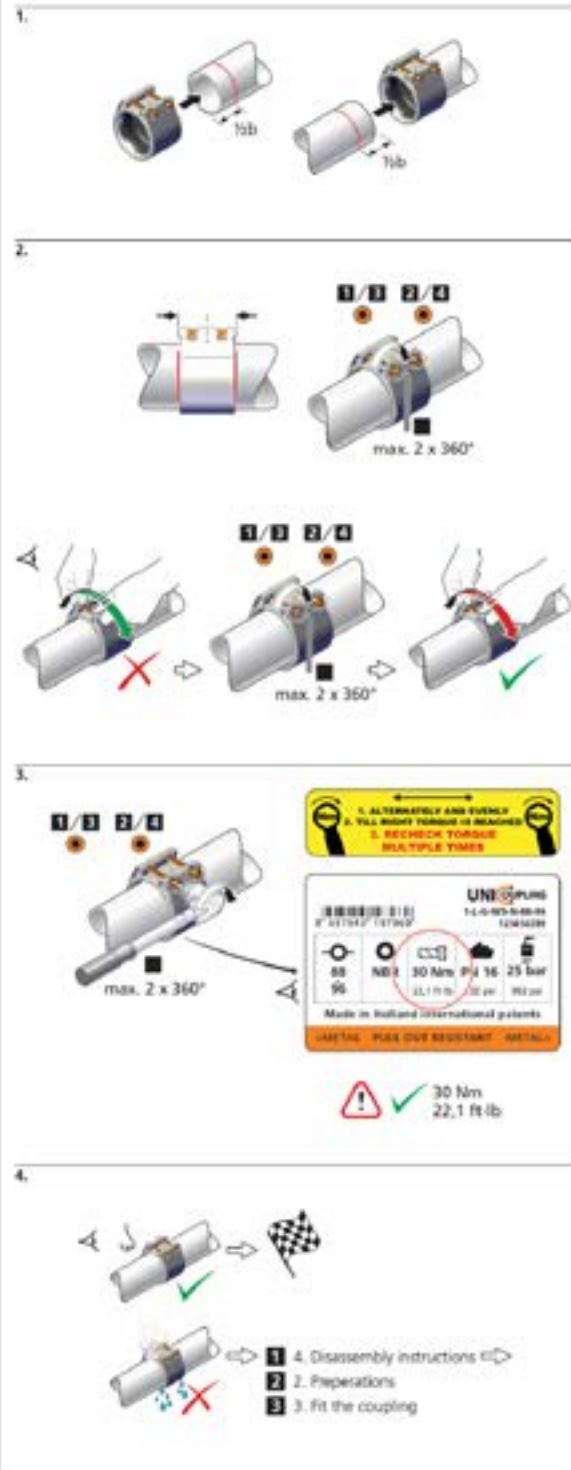
2. Preparations

- Voorbereidingen
- Preparativos
- Vorbereitungen
- Подготовка
- Préparations
- Priprema



3. Fit the coupling

- Plaats de koppeling
- Montaje del acoplamiento
- Montieren Sie die Kupplung
- Установите муфту
- Monter l'accouplement
- Postavljanje spojnice



1. ALTERNATELY AND EVENLY
2. TILL RIGHT TORQUE IS REACHED
3. CHECK TORQUE
MULTIPLE TIMES

UNI-COPLING	14-05-05-00-00
88	EPDM 30 Nm P10 16 bar
99	22,1 ft lb 160 psi 250 psi
Made in Holland International patents	
UNITE - PLUS OVER RESISTANT - METAL	

30 Nm
22,1 ft lb

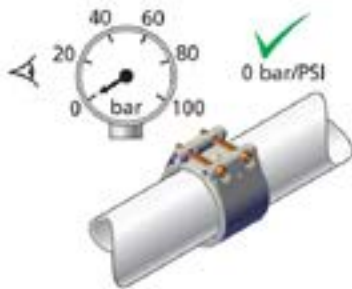
DISASSEMBLY INSTRUCTIONS

4. Disassembly instructions

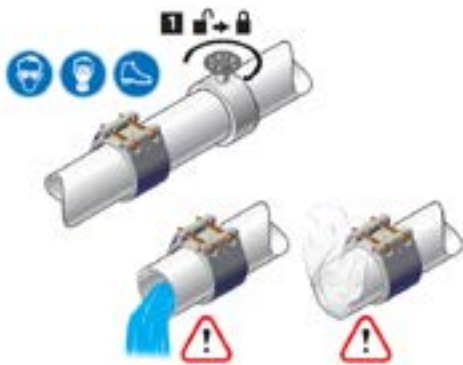
- Demontage instructie
- Demontageanleitung
- Instructions de démontage

- Instrucciones para el desmontaje
- Демонтажные инструкции
- Upute za demontažu

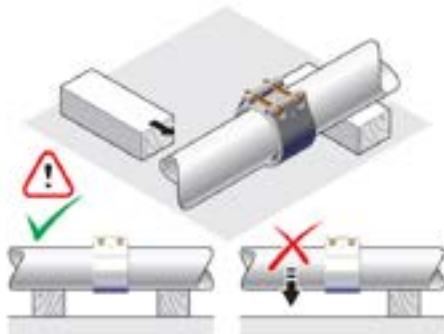
1.



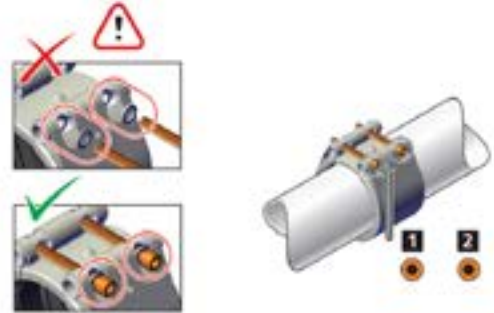
2.



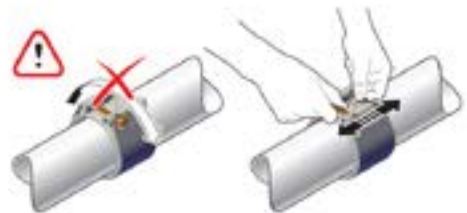
3.



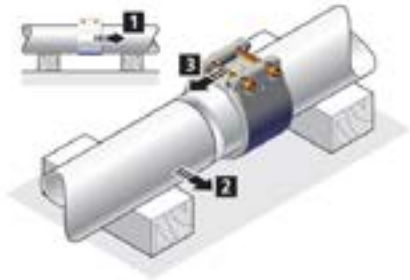
4.



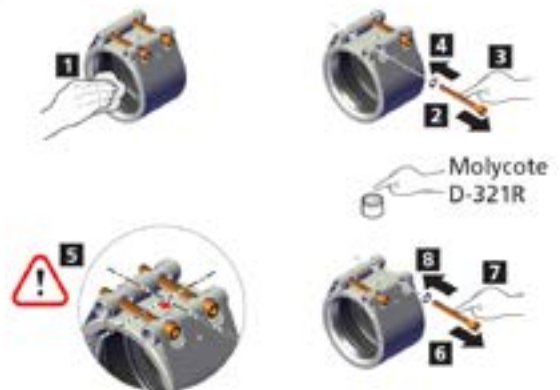
5.



6.



7.



FITTING INSTRUCTIONS UNI-GRIP / UNI-PLASTGRIP / UNI-COMBIGRIP / UNI-FLEX

1.



2.



3.



4.



5.



6.



7.



8.



FITTING INSTRUCTIONS UNI-REP

1.



2.



3.



4.



5.



6.



7.



8.



FITTING INSTRUCTIONS INSERT

Economy Insert

- + Suitable for PE, PVC, PP and PB plastic pipes
- + Stainless steel 1.4310 (W2) quality
- + Insert without range
- + Other dimensions on request
- + Use insert stiffeners for installation on PE, PVC, PP or PB pipes! (page 116)

2.



1.



3.



Insert with wedge

- + Suitable for PE, PVC, PP or PB plastic pipes
- + Stainless steel 1.4310 (W2) quality
- + Insert with range
- + Other dimensions on request
- + Use insert stiffeners for installation on PE, PVC, PP or PB pipes! (page 117)

2.











1.



3.



FITTING INSTRUCTIONS UNI-FIRE

- 
- 
- 
- 
- 
- 
- 
- 

Note: UNI-Fire product information available on page 106

PIPE DIMENSIONS AND MINIMUM PIPE WALL THICKNESS AT NOMINAL PRESSURE PN

Pipe Ø		Nominal Ø		Minimum pipe wall thickness			
Metric (mm)	Imperial (inch)	Metric (dn)	Imperial (nom)	Stainless steel		CuNi10Fe (DIN) / CuNi10Mn1Fe (ISO)	
				Metric (mm)	Imperial (inch)	Metric (mm)	Imperial (inch)
26.9	1.059	20	¾	1.5	0.059	1.5	0.059
30.0	1.181	25	1.2	1.5	0.059	1.5	0.059
33.7	1.327	25	1	1.5	0.059	2.0	0.079
38.0	1.496	32	1.5	1.5	0.059	2.0	0.079
42.4	1.669	32	1 ¼	1.5	0.059	2.0	0.079
44.5	1.752	40	1.75	1.5	0.059	2.0	0.079
48.3	1.902	40	1 ½	1.5	0.059	2.0	0.079
54.0	2.126	50	2.125	1.5	0.059	2.0	0.079
57.0	2.244	50	2.25	1.5	0.059	2.0	0.079
60.3	2.374	50	2	1.5	0.059	2.0	0.079
66.6	2.622	65	2 ½	2.0	0.079	2.0	0.079
70.0	2.756	65	2 ½	2.0	0.079	2.0	0.079
73.0	2.874	65	2 ½	2.0	0.079	2.0	0.079
76.1	(3.000)	65		2.0	0.079	2.0	0.079
79.5	3.130	65	3	2.0	0.079	2.0	0.079
84.0	3.307	80	3.3	2.0	0.079	2.0	0.079
88.9	3.500	80	3	2.0	0.079	2.0	0.079
100.6	3.961	80	(3)	2.0	0.079	2.3	0.091
101.6	(4.000)	90	(3 ½)	2.0	0.079	2.3	0.091
104.0	4.094	100	4.1	2.0	0.079	2.3	0.091
104.8	4.126	100	(4)	2.0	0.079	2.3	0.091
108.0	4.252	100	4 ¼	2.0	0.079	2.3	0.091
114.3	4.500	100	4	2.0	0.079	2.3	0.091
127.0	5.000	100	4 ½	2.6	0.102	3.0	0.118
129.0	5.079	125	5	2.6	0.102	3.0	0.118
130.2	5.126	125	(5)	2.6	0.102	3.0	0.118
* 131.0	5.157			3.0	0.118		
133.0	5.236	125	5 ¼	2.6	0.102	3.0	0.118
139.7	(5.500)	125	(5 ½)	2.6	0.102	3.0	0.118
141.3	5.563	125	5	2.6	0.102	3.0	0.118
154.0	6.063	150	6.1	2.6	0.102	3.0	0.118
* 155.0	6.102			2.5	0.098		
159.0	6.260	150	6 ¼	2.6	0.102	3.0	0.118
168.3	6.626	150	6	2.6	0.102	3.5	0.138
193.7	7.626	200	7.6	3.0	0.118	3.5	0.138
* 206.0	8.110			3.0	0.118		
219.1	8.626	200	8	3.0	0.118	3.5	0.138
244.5	9.626	225	9	on request	on request	4.5	0.177
* 256.0	10.079			on request	on request		
267.0	10.512	250	10.5	on request	on request	4.5	0.177
273.0	10.748	250	10	on request	on request	5.0	0.197
* 306.0	12.047			on request	on request		
323.9	12.752	300	12	on request	on request	5.5	0.217
355.6	14.000	350	14	on request	on request	6.0	0.236
406.4	16.000	400	16	on request	on request	8.0	0.315
457.2	18.000	450	18	on request	on request	9.0	0.354
508.0	20.000	500	20	on request	on request	10.0	0.394
558.8	22.000	550	22	on request	on request	10.0	0.394
609.6	24.000	600	24	on request	on request	12.0	0.472

Thinner walls are possible at lower pressures; please contact us for more information.
 * Standard pipe dimension for stainless steel (outer diameter related to the wall thickness)

INSTALLATION TIME

The installation time includes:

- + Marking of half the coupling width on both pipe ends
- + Fitting the coupling over pipe ends and correct alignment
- + Tightening the bolts with a torque wrench

Pipe Ø		Nominal Ø		Installation time per coupling Time (min)
Metric (mm)	Imperial (inch)	Metric (dn)	Imperial (nom)	
26.9	1.050	20	3/4	2
30	1.180	25	1.2	2
33.7	1.325	25	1	2
38	1.495	32	1.5	2
42.4	1.670	32	1 1/4	2
44.5	1.750	40	1.75	2
48.3	1.900	40	1 1/2	2
54	2.125	50	2.125	3
57	2.245	50	2.25	3
60.3	2.375	50	2	3
66.6	2.625	65	2 1/2	4
73	2.875	65	2 1/2	4
76.1	(3.000)	65	3	4
79.5	3.125	65	3	4
84	3.305	80	3.3	4
88.9	3.500	80	3	4
100.6	3.960	80	(3)	5
101.6	(4.000)	90	(3 1/2)	5
104	4.095	100	4.1	5
104.8	4.125	100	(4)	5
108	4.250	100	4 1/4	5
114.3	4.500	100	4	5
127	5.000	100	4 1/2	6
129	5.080	125	5	6
130.2	5.125	125	(5)	6
133	5.235	125	5 1/4	6
139.7	(5.500)	125	(5 1/2)	6
141.3	5.565	125	5	6
154	6.065	150	6.1	7
159	6.260	150	6 1/4	7
168.3	6.625	150	6	7
219.1	8.625	200	8	9
244.5	9.625	225	9	10
267	10.510	250	10.5	10
273	10.750	250	10	10
323.9	12.750	300	12	12
355.6	14.000	350	14	12
406.4	16.000	400	16	12
457.2	18.000	450	18	12
508	20.000	500	20	12
558.8	22.000	550	22	12
609.6	24.000	600	24	12

ACCESSORIES

Strip inserts

Strip inserts protect the sealing sleeve against mechanical or chemical damage in the pipe end area.

Strip inserts are only required for:

- + External pressure (e.g. underwater pipeline)
- + Vacuum ≥ 0.5 bar absolute pressure (e.g. suction line)
- + Swelling of the rubber caused by contact with chemicals

Subsequent installation of strip inserts for all types of couplings is possible. Strip insert are made of 316 Ti (1.4571) quality steel and capable of handling high temperature, vacuum and external pressure.



Strip inserts are only required for above mentioned applications!

Fitting plier

For convenient assembly of UNI-Rep couplings we recommend using a fitting plier. The plier uses the bores in the housing to close the coupling which enables you to manually tighten the bolts. For bigger diameters (>300 mm) use a fitting belt.



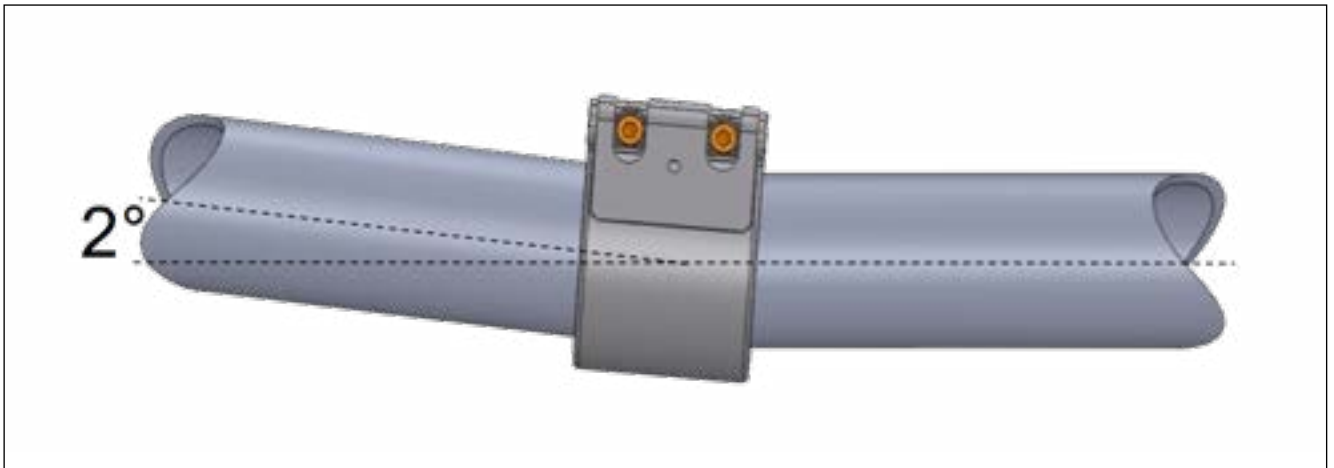
Torque wrench

Always assemble UNI-Couplings with a torque wrench. The correct torque is indicated on the housing label of each UNI-Coupling. While using a torque wrench you ensure that the UNI-Coupling is not overstressed.



ANGULAR DEFLECTION

UNI-Couplings cover angular deflection of pipes up to 2° (4°) in any direction.

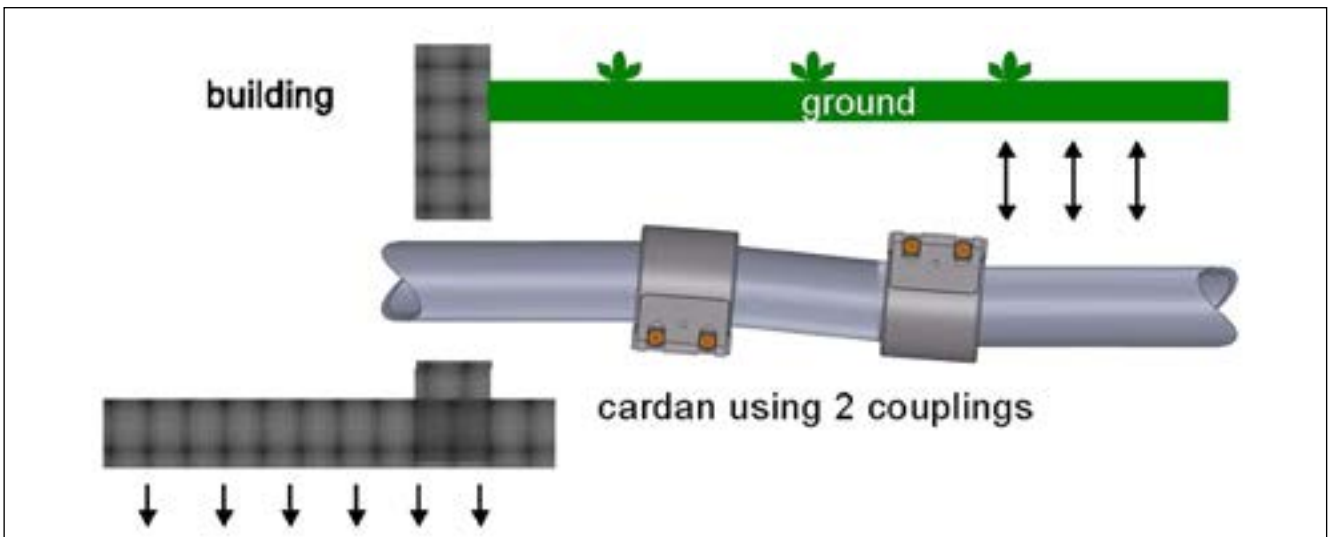


The 2° angular deflection corresponds to 35 mm per meter of pipe length.

The installation is very easy and there is no need for costly pipe alignment.

It is possible to fit the pipe with angular deflection and to use the joint for dynamic angular movement under working conditions after installing the pipe system.

Example: Ground settling



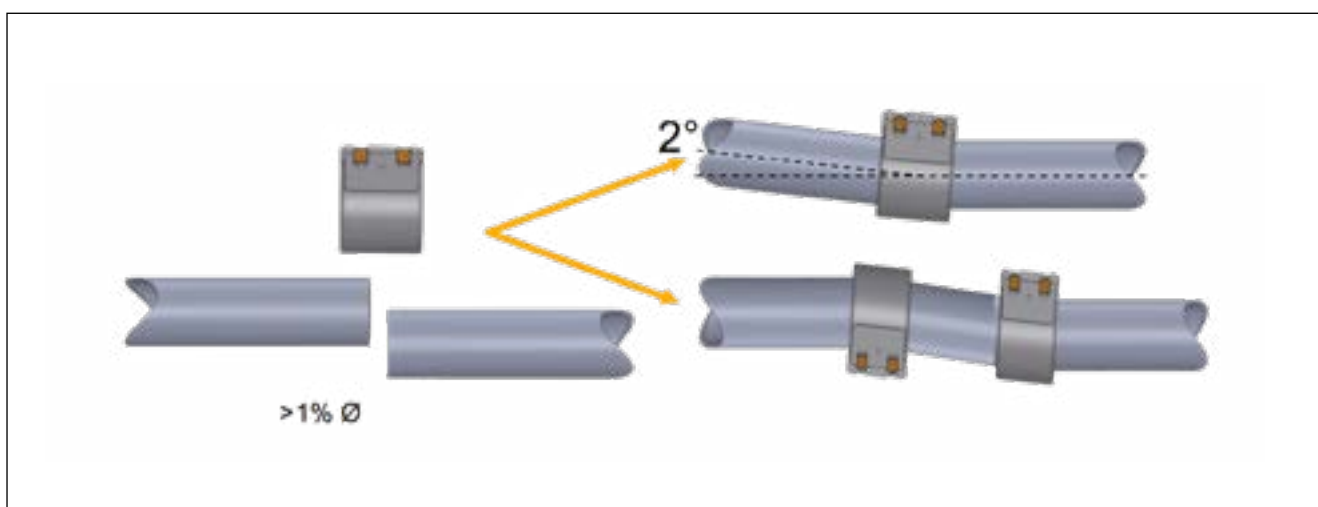
Note: Pipe end gap C max must always be kept.

AXIAL MISALIGNMENT

UNI-Couplings generally allow misalignment of the pipe axis. However, we recommend avoiding misalignment wherever possible or absorbing it either with an angularity of max 2° or by using an intermediate piece.

Since "zero misalignment" is hard to realize, a minimal misalignment is tolerated. The following rule serves to explain the limits of what is tolerable, with the aim of keeping axial misalignment as small as possible.

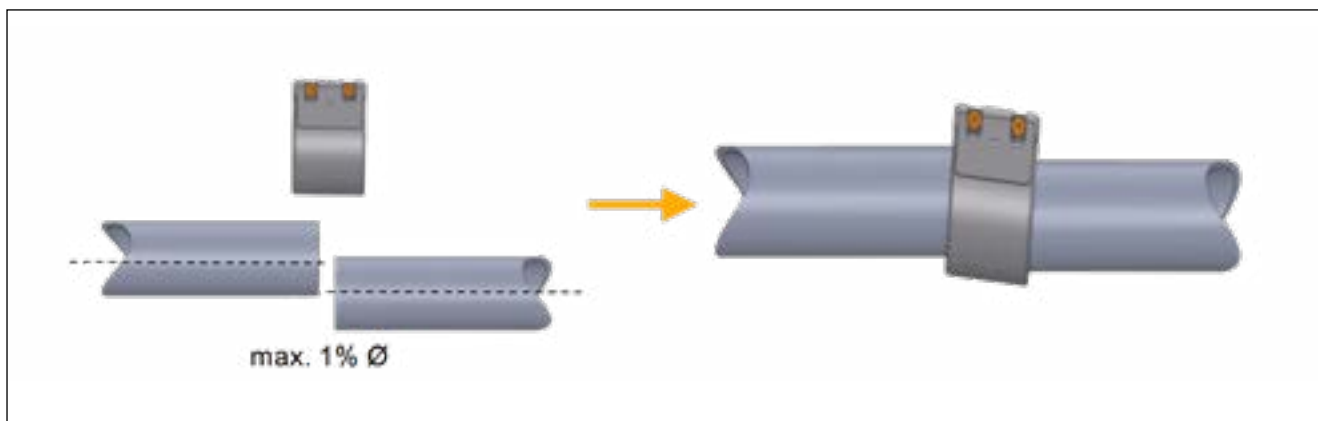
For fixed pipe ends, a misalignment of up to 1% (max. 3 mm) of corresponding pipe OD can be tolerated without any restrictions. It does not affect the correct fitting of the UNI-Coupling.



Where the pipeline guides are sufficiently spaced from the pipe end, the butt ends can be rectified by hand with low force, approx. 500N. The remaining axial misalignment after tightening the lock bolts is minimal. For such an application a larger misalignment prior to connecting can be permitted, keeping the following rule in mind:

A misalignment of up to 1% in the fitted position has no negative influence on the function of UNI-Flex and UNI-Rep pipe couplings and is therefore tolerable up to pipe OD of 300 mm.

Under such conditions a slight sloping of the coupling on the pipe ends has to be expected.



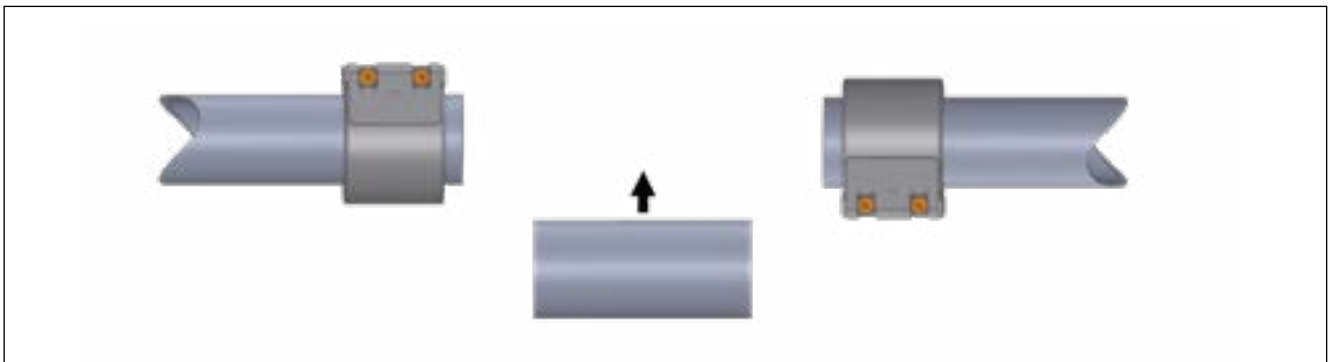
RETROFITTING PIPE SECTIONS AND FITTINGS

Thanks to their large clearance and allowable fitting gap as well as the wide tolerance range, UNI-Couplings are predestined as an ideal construction element for retrofitting pipe sections and fittings during repair work or for changes in the pipeline direction.

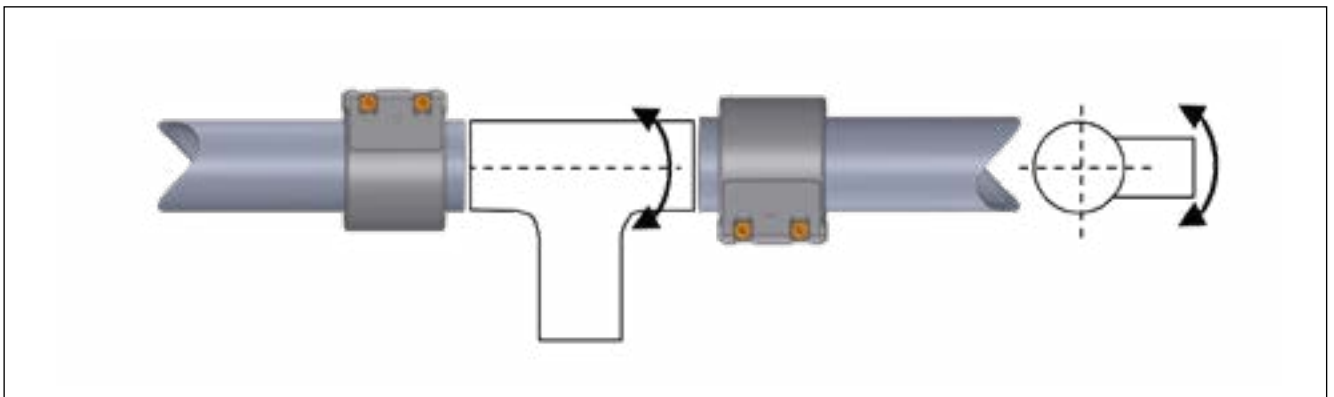


UNI-Coupling pipe couplings do not absorb bending or torsion forces. Pressure lines must be supported, anchored and guided.

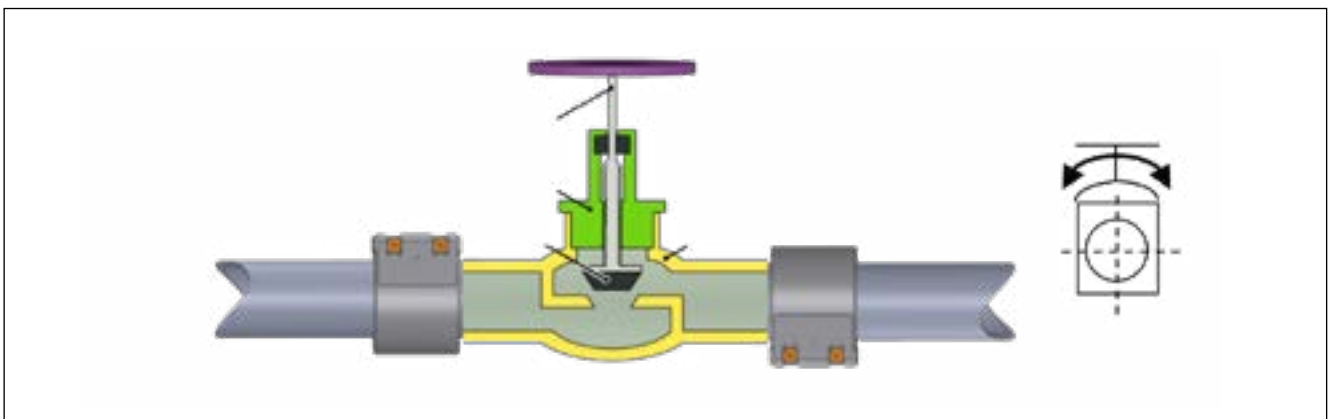
Pipe section for existing or new pipelines.



Fitting (T), position and direction of the branch are freely selectable.



Valve with plain ends, rotatable to any position.



AXIAL MOVEMENT / CHANGE IN LENGTH

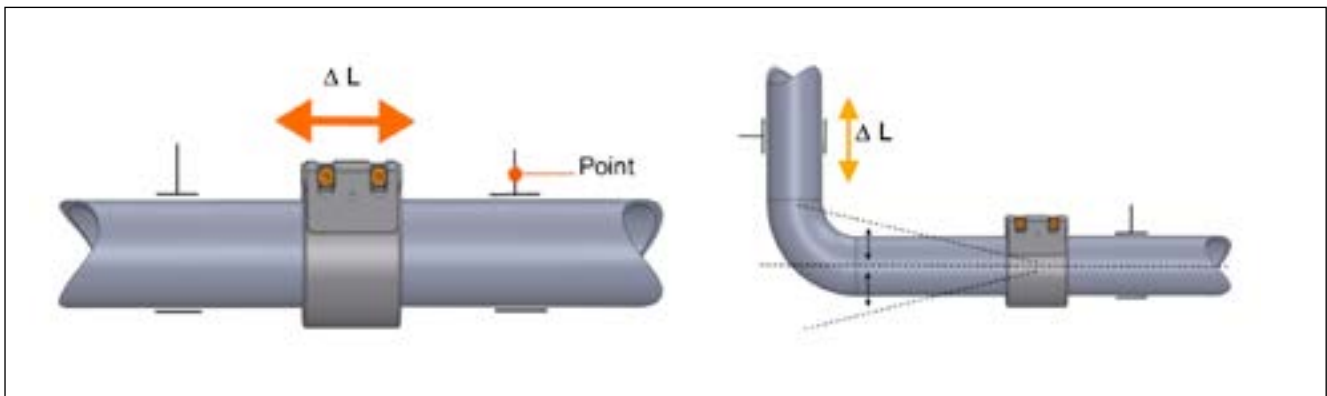
Temperature changes in pipeline systems cause axial movement and tensile or pressure stress, which must be compensated by adequate countermeasures.

UNI-Flex and UNI-Rep pipe couplings are able to compensate axial movement of straight pipe sections, up to 20 mm depending on the size of coupling.



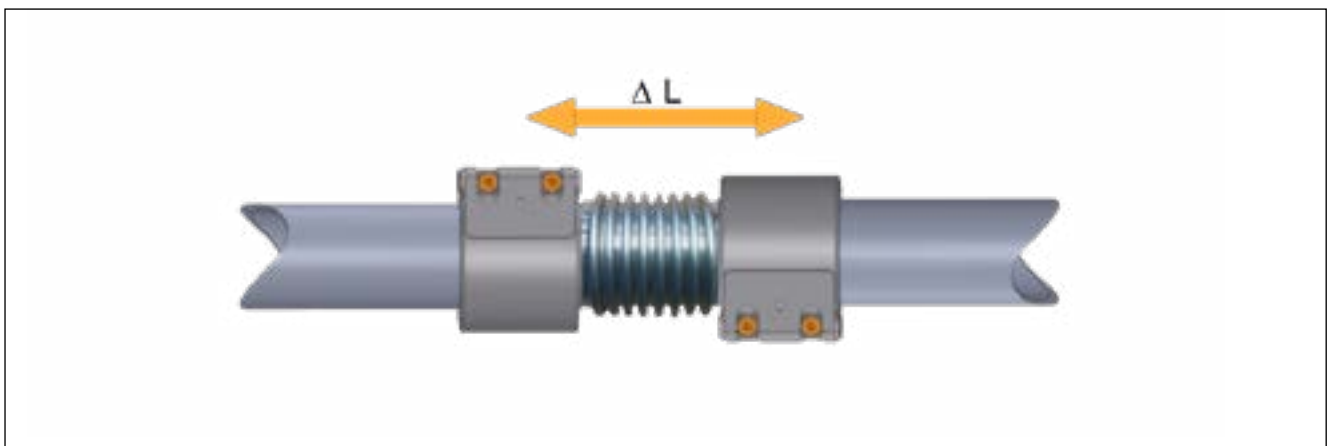
UNI-Coupling pipe couplings do not absorb bending or torsion forces. Pressure lines must be supported, anchored and guided.

- + compensation of axial movement
- + no abrasion on the sealing sleeve
- + escaping space for rubber expansion under temperature
- + stress-free pipeline without additional means (see below)



Note: Pipe end gap Cmax. must always be kept.

Larger axial movements need compensation, such as traditional compensators.



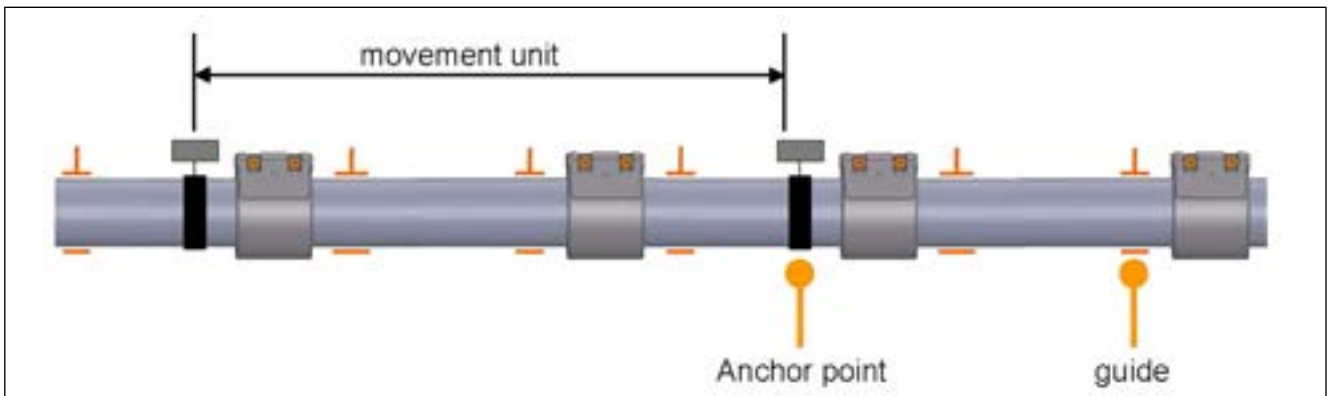
Anchor points and guides with axial movement

Clever fastening of pipe sections which are exposed to axial movement due to temperature influences can be divided into 'movement units' and joined very economically with UNI-Flex and UNI-Rep pipe couplings as compensators.

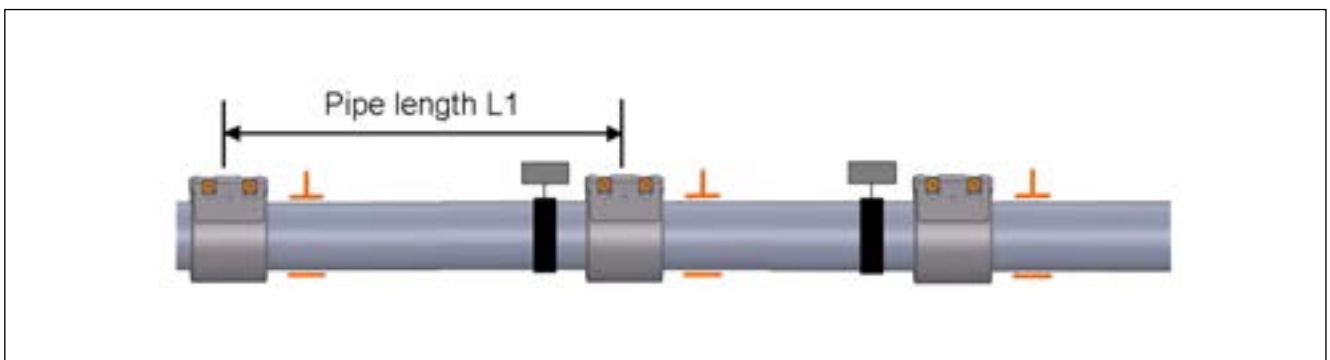


UNI-Coupling pipe couplings do not absorb bending or torsion forces. Pressure lines must be supported, anchored and guided.

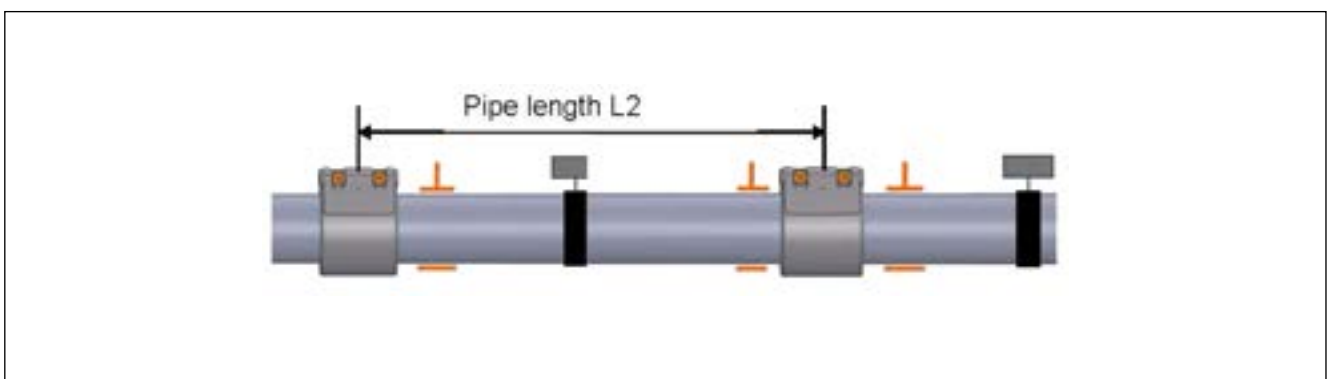
The distance between 2 anchor points forms a movement unit.



The movement between the 2 anchor points may not exceed the permissible value given for one joint.



Depending on the value of axial movement, every second anchor point can be replaced with a guide.

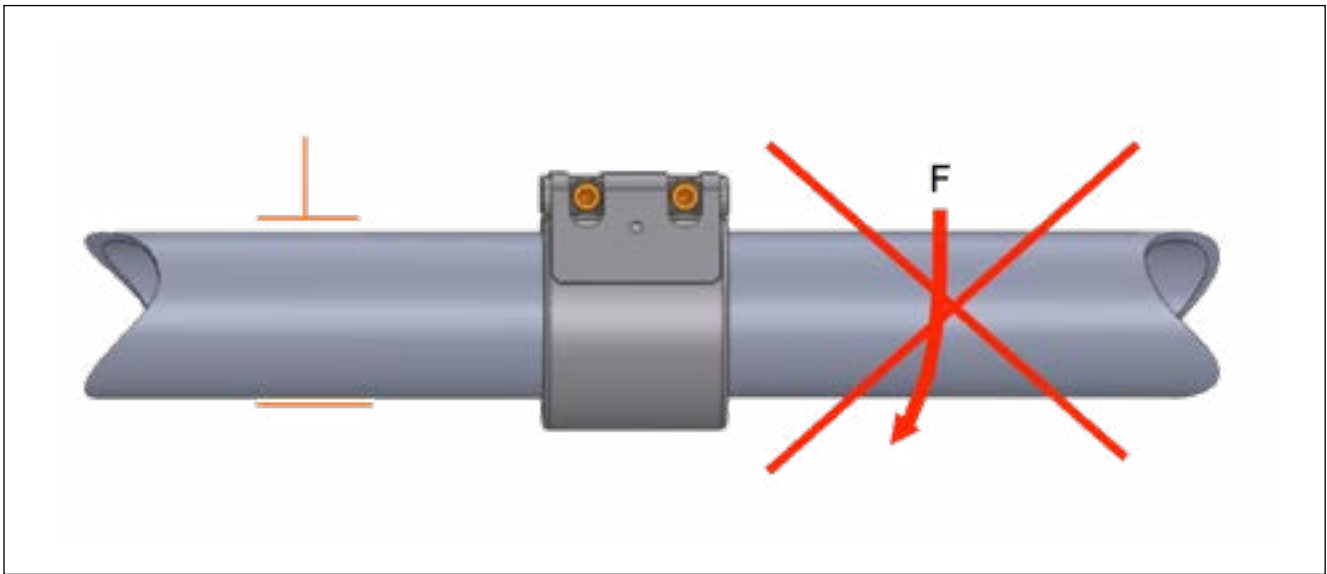


BENDING / TORSION

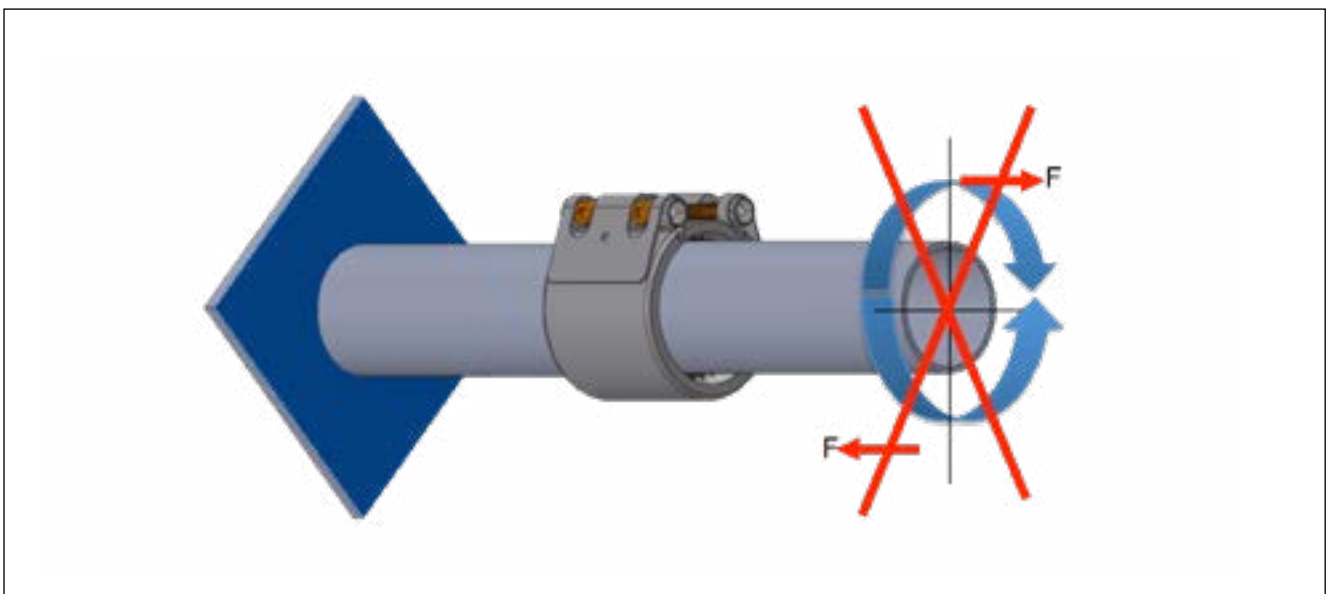


UNI-Coupling pipe couplings do not absorb bending or torsion forces. Pressure lines must be supported, anchored and guided.

Bending



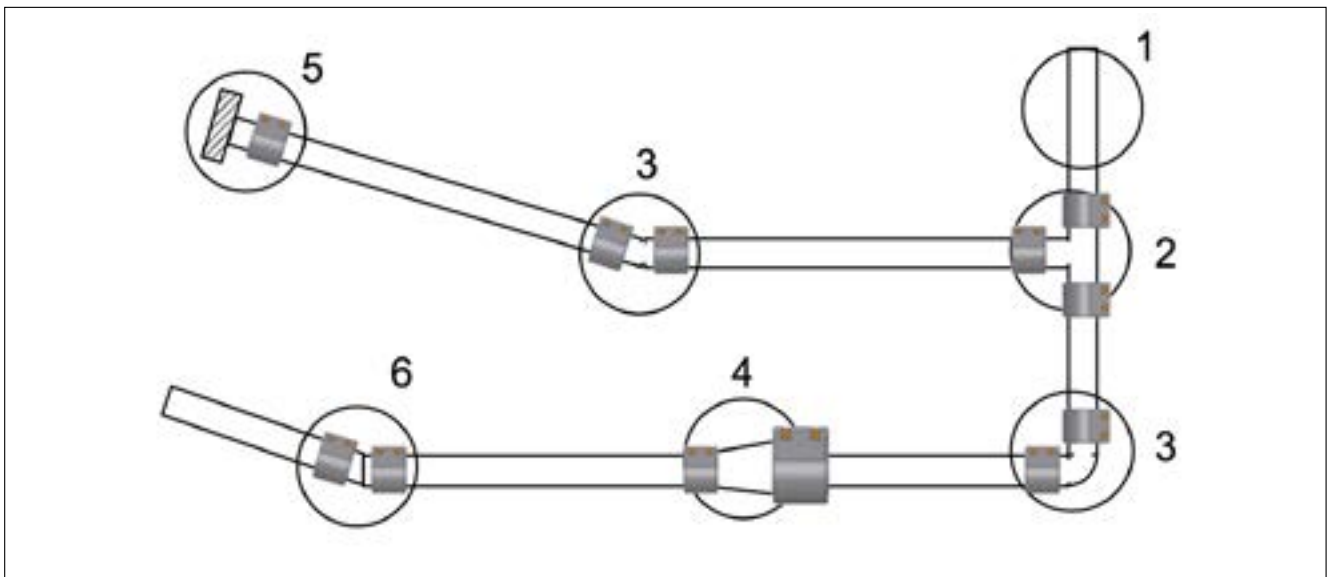
Torsion



UNDERGROUND PIPELINES



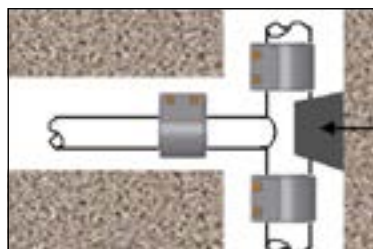
UNI-Coupling pipe couplings do not absorb axial forces. Structural measures for buried pipelines are required in order to absorb axial forces (e.g. lean concrete abutment).



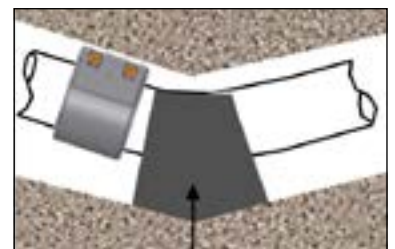
1 Sufficient back fill weight to prevent side thrust or buckling



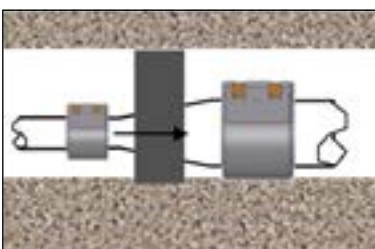
2 Tees (e. g. concrete thrust blocks)



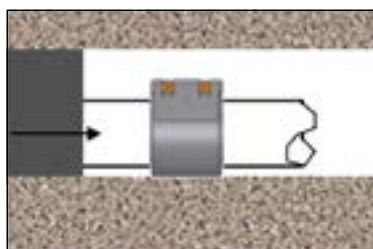
3 Bends direction changes



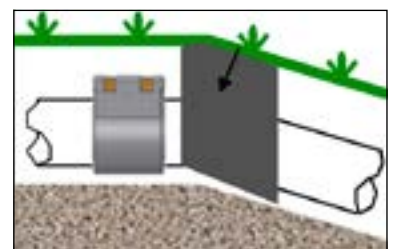
4 OD reductions



5 Blank ends



6 Inclination changes



The arrows indicate the counterforce of the abutment.

FREELY INSTALLED PIPELINES

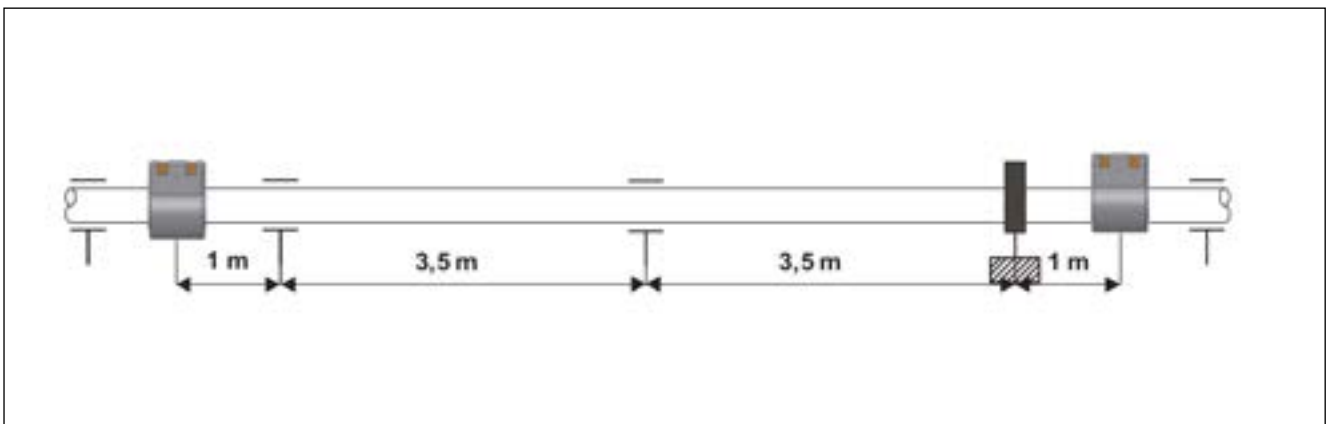


UNI-Coupling pipe couplings do not absorb axial forces.

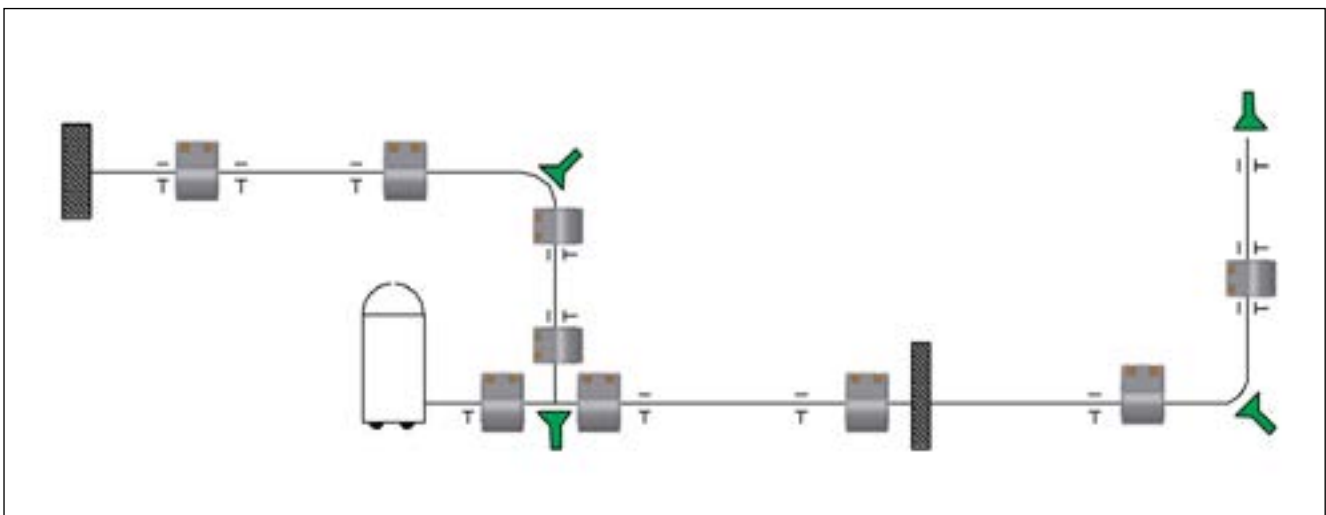
Important: Pressure lines must be supported, anchored and guided.
Depending on the installation situation, supports have to be changed to anchor points.

Guideline: One anchor point and at least one guide point per pipe section!

Structural measures for freely installed pipelines – example for a 9-meter pipe length.



Application example:



INSTALLATION OF VERTICAL PIPELINES



The application of UNI-Combigrrip and UNI-Plastgrip couplings for installation of vertical pipelines is not recommended.

UNI-Grip pipe couplings are the ideal joints to keep plain-ended metal pipe sections in vertical installations perfectly tight and axially restrained.

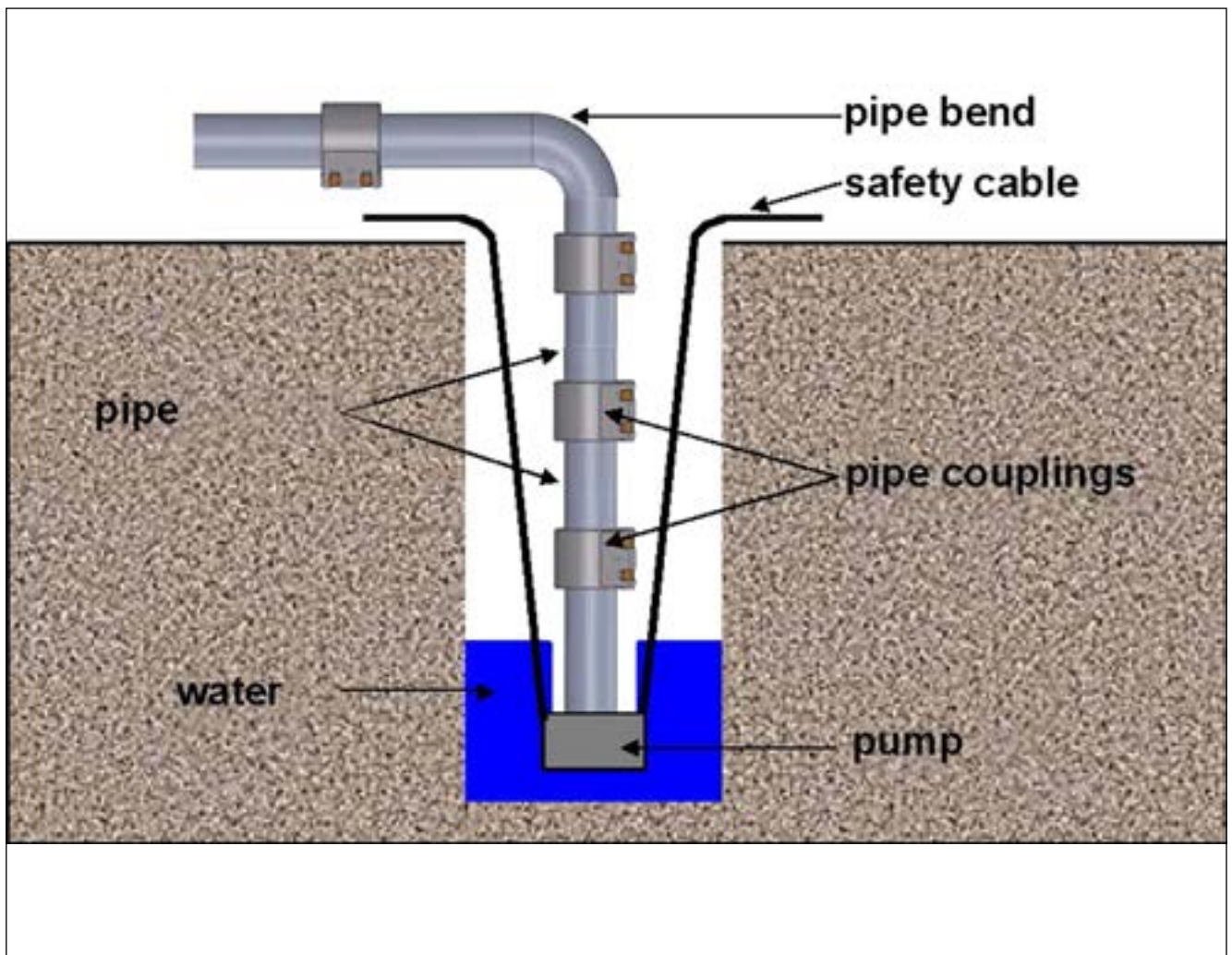
In the extreme case of a vertical, free-hanging pump pressure mains, the forces arising for each coupling are calculated based on the following values:

- + weight of pipe sections
- + weight of couplings (joints)
- + weight of pump
- + weight of water column in pipes
- + force factor resulting from internal pressure and possible pressure surges

UNI-Grip, UNI-Combigrrip and UNI-Plastgrip pipe couplings deliver sufficient resistance against torsion, resulting from switching the pump on or off. (Please consult pump manufacturer for details).

Application examples:

- + drilling hole pump lines
- + fresh water pump lines
- + heat pumps
- + shaft pipelines
- + charge and discharge systems of silos, tanks and containers



ELECTRICAL CONDUCTIVITY UNI-FLEX / UNI-REP

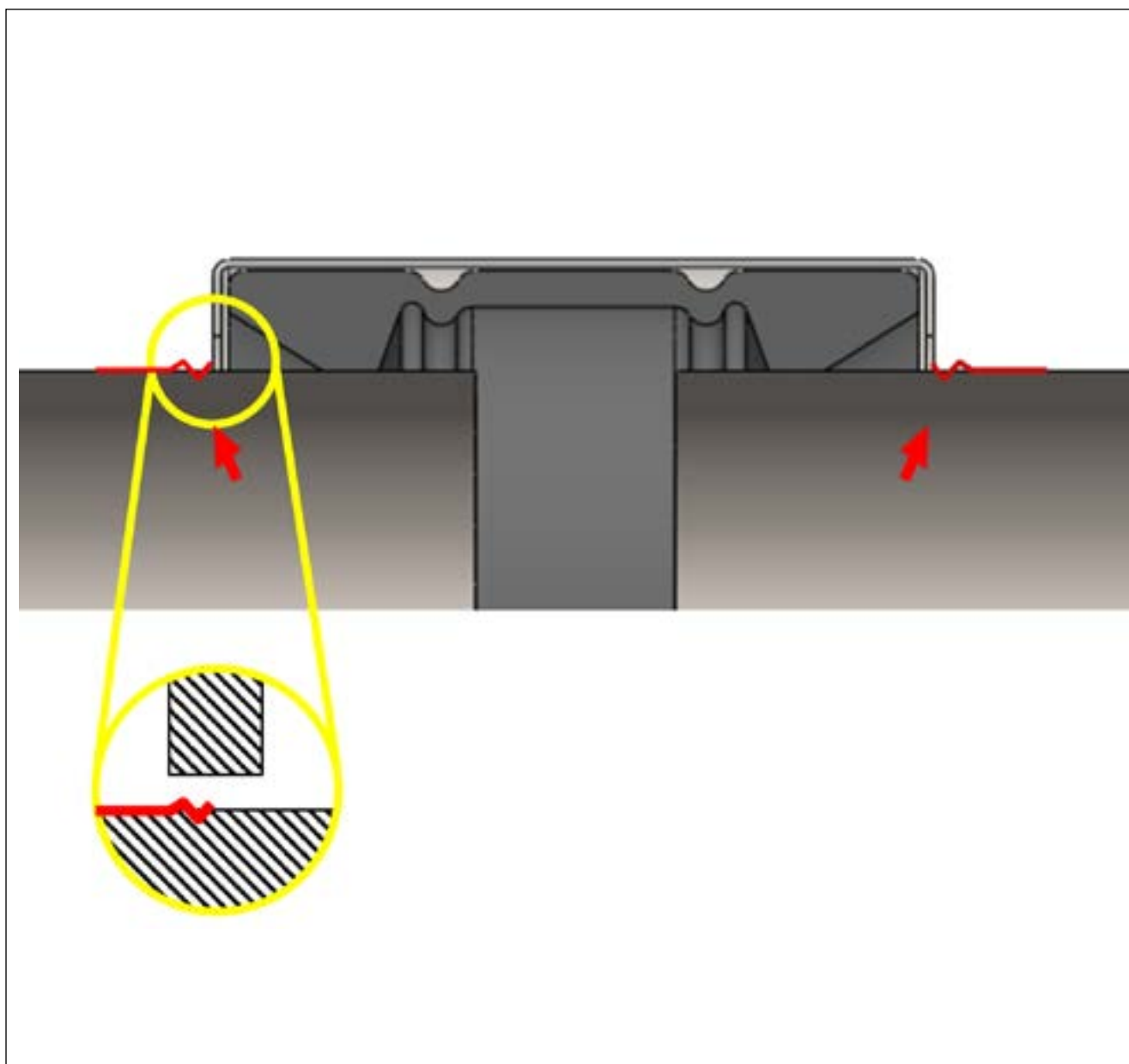


UNI-Flex and UNI-Rep pipe couplings do NOT provide electrical conductivity from pipe to pipe.

However, they should not be used as 'insulation'. Even under prescribed installation conditions, an electrical contact between the housing of the coupling or the strip insert and the pipe surface can occur.

Should it be necessary to prevent electrical conductivity of the pipe joint, electrical insulation of the pipeline elements can be achieved by coupling-in a section of plastic pipe, measuring one meter in length.

If electrical conductivity is required, it can be achieved by bridging over the coupling from pipe to pipe with an earth strap.



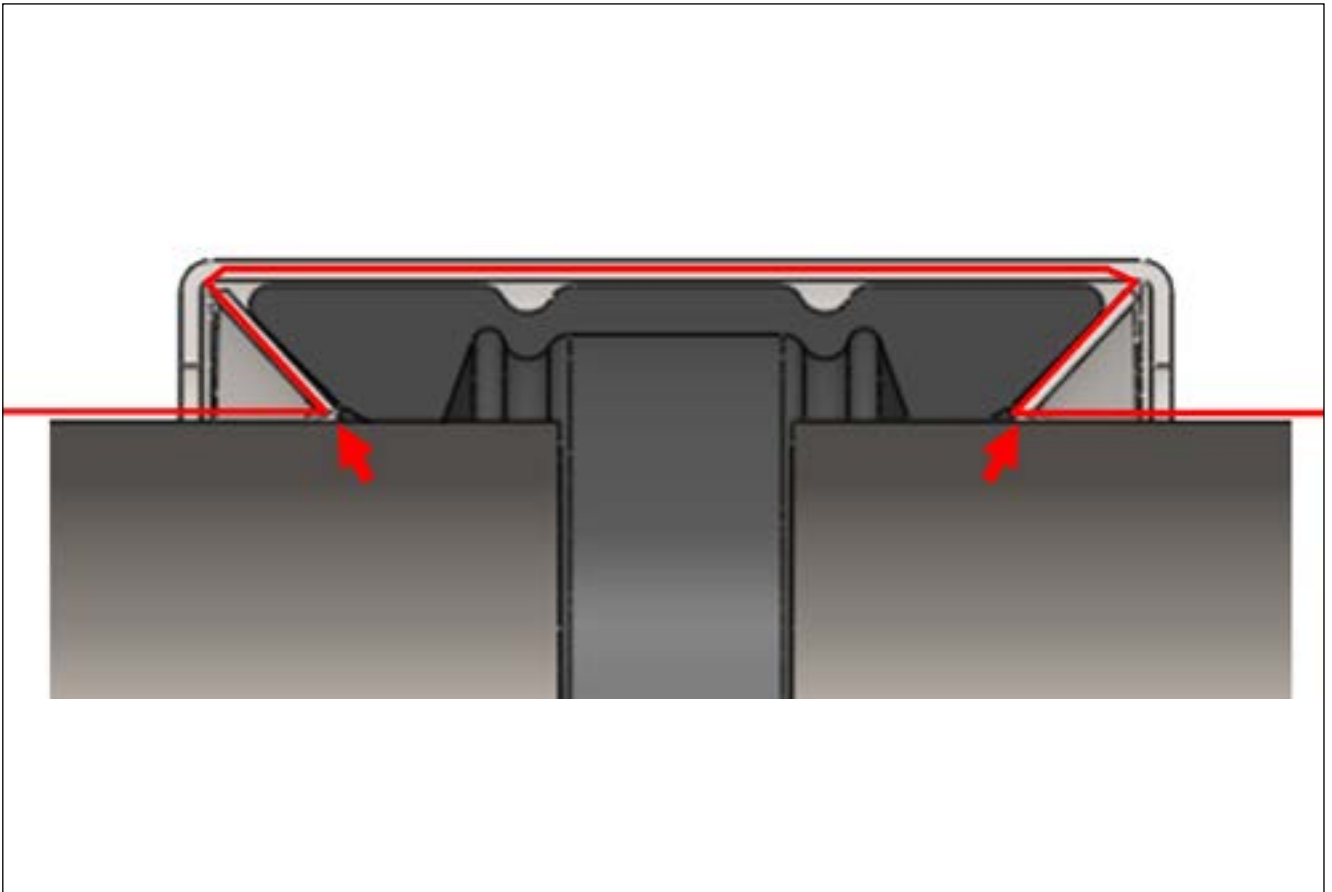
ELECTRICAL CONDUCTIVITY UNI-GRIP



Because of the use of plastic pipes, there is no electrical conductivity with UNI-Combigrip and UNI-Plastgrip couplings.

UNI-Grip pipe couplings guarantee electrical conductivity for metal-to-metal piping by bridging over from pipe to pipe through the metallic anchoring mechanism.

Measurements have proven a sufficiently low electrical transition resistance of UNI-Grip pipe couplings.



Electrical conductivity is ensured thanks to the anchoring rings gripping into the pure metallic surface of the pipe.



Product Range

UNI-GRIP S Ø 19 - 172 MM | PN70/16

Steel materials Components	W5 (standard)	W4 (on request)	W2 (on request)	
Casing	1.4571 / 316 Ti	1.4301 / 304	1.4016 / 301	
Bolts	A4-80 / 316 Ti	A4-80 / 316 Ti	A4-80 / 316 Ti	
Bars	1.4571 / 316 Ti	1.4301 / 304	1.0760 / 1141	
Anchoring rings	1.4310 / 301	1.4310 / 301	1.4310 / 301	
Strip Insert (Optional)	1.4571 (316 Ti)	1.4571 (316 Ti)	1.4571 (316 Ti)	

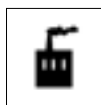
Sealing Sleeve Application	EPDM	NBR	Viton (on request)	Silicone (on request)
Temperature range	-30°C up to +125°C	-20°C up to +80°C	-20°C up to +180°C	
Medium	all qualities of water, waste water, air, solids and chemical products	water, gas, oil, fuel and other hydrocarbons	ozone, oxygen, acids, gas, oil and fuel (only with strip insert)	

Important remarks:

- + Follow fitting/disassembly instructions
- + The pressure values are valid for radial rigid carbon steel pipes with a minimal wall thickness under static loads
- + For metric to imperial conversion table see page 28
- + Strip inserts are required for special applications
- + Free from paint wetting disruptive substances

Technical details are subject to change. Typing errors may occur.

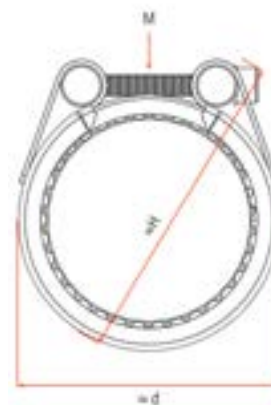
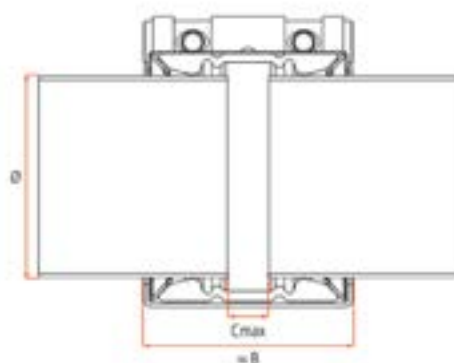
Pressure indication:



= Working pressure for industrial and land-based applications with 1.5x safety factor in bars



= Working pressure for marine applications with 4x safety factor in bars





Article Nr.	OD Ø min.	OD Ø max.	OD Ø Nominal	Pressure		Coupling dimensions not fitted				Torque rate (Nm)	Weight ≈ kg/pcs.	Packing quantity	
				PN	PN	≈ B	Cmax	≈ d	≈ H				M
1-S-G-W5-*-19-21	19	21	20	70	16	45	10	42	69	M6	7	0.20	10
1-S-G-W5-*-21-24	21	23	21.3/21.6	70	16	45	10	46	76	M6	7	0.20	10
1-S-G-W5-*-25-29	25	29	26.9/28	70	16	45	10	46	76	M6	7	0.20	10
1-S-G-W5-*-29-32	29	32	30	70	16	45	10	54	84	M6	7	0.20	10
1-S-G-W5-*-33-36	33	36	33.7/35	70	16	45	10	54	84	M6	7	0.20	10
1-S-G-W5-*-36-39	36	39	38	60	16	60	15	66	104	M8	25	0.40	10
1-S-G-W5-*-39-43	39	43	42.4	50	16	60	15	66	104	M8	25	0.40	10
1-S-G-W5-*-43-47,5	43	47.5	44.5	50	16	60	15	74	112	M8	25	0.40	10
1-S-G-W5-*-47,5-52,5	47.5	52.5	48.3	50	16	60	15	74	112	M8	25	0.40	10
1-S-G-W5-*-52,5-58	52.5	58	54/57	50	16	75	25	85	125	M8	25	0.60	10
1-S-G-W5-*-58-64	58	64	60.3/63	40	16	75	25	85	125	M8	25	0.60	10
1-S-G-W5-*-64-72	64	72	66.6/68/69/70	40	16	95	30	108	164	M10	40	1.40	10
1-S-G-W5-*-72-80	72	80	73/76.1/79.5	40	16	95	30	108	164	M10	40	1.40	10
1-S-G-W5-*-80-88	80	88	84	35	16	95	30	124	170	M10	40	1.60	10
1-S-G-W5-*-88-96	88	96	88.9	35	16	95	30	124	170	M10	40	1.60	10
1-S-G-W5-*-97-105	97	105	98/100.6/101.6/104	35	16	95	30	141	187	M10	40	1.70	10
1-S-G-W5-*-104-112	104	112	104.8/108/110	35	16	95	30	141	187	M10	40	1.70	10
1-S-G-W5-*-112-120	112	120	114.3/118	35	16	95	30	158	202	M10	40	1.90	10
1-S-G-W5-*-122-130	122	130	125/127/129	32	16	95	30	158	202	M10	40	1.90	10
1-S-G-W5-*-129-137	129	137	130.2/131/133	32	16	110	40	178	230	M12	65	3.40	5
1-S-G-W5-*-137-145	137	145	139.7/141.3/141.6	32	16	110	40	186	238	M12	65	3.50	5
1-S-G-W5-*-149-157	149	157	154/155	32	16	110	40	197	249	M12	65	3.60	5
1-S-G-W5-*-157-165	157	165	159	32	16	110	40	205	255	M12	65	3.70	5
1-S-G-W5-*-164-172	164	172	165/168.3	32	16	110	40	212	262	M12	65	3.80	5

*Article Nr.: E for EPDM and N for NBR.

UNI-GRIP S Ø 172 - 290 MM | PN25/16

Steel materials Components	W5 (standard)	W4 (on request)	W2 (on request)	
Casing	1.4571 / 316 Ti	1.4301 / 304	1.4016 / 301	
Bolts	A4-80 / 316 Ti	A4-80 / 316 Ti	A4-80 / 316 Ti	
Bars	1.4571 / 316 Ti	1.4301 / 304	1.0760 / 1141	
Anchoring rings	1.4310 / 301	1.4310 / 301	1.4310 / 301	
Strip Insert (Optional)	1.4571 (316 Ti)	1.4571 (316 Ti)	1.4571 (316 Ti)	

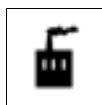
Sealing Sleeve Application	EPDM	NBR	Viton	Silicone (on request)
Temperature range	-30°C up to +125°C	-20°C up to +80°C	-20°C up to +180°C	
Medium	all qualities of water, waste water, air, solids and chemical products	water, gas, oil, fuel and other hydrocarbons	ozone, oxygen, acids, gas, oil and fuel (only with strip insert)	

Important remarks:

- + Follow fitting/disassembly instructions
- + The pressure values are valid for radial rigid carbon steel pipes with a minimal wall thickness under static loads
- + For metric to imperial conversion table see page 28
- + Strip inserts are required for special applications
- + Free from paint wetting disruptive substances

Technical details are subject to change. Typing errors may occur.

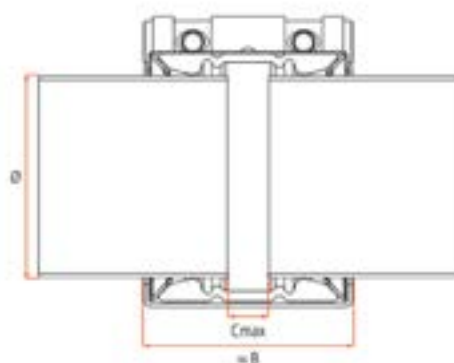
Pressure indication:



= Working pressure for industrial and land-based applications with 1.5x safety factor in bars



= Working pressure for marine applications with 4x safety factor in bars





Article Nr.	OD Ø min.	OD Ø max.	OD Ø Nominal	Pressure		Coupling dimensions not fitted				Torque rate (Nm)	Weight ≈ kg/pcs.	Packing quantity	
				PN	PN	≈ B	Cmax	≈ d	≈ H				M
2-S-G-C-W5-*-172-185	172	185	180	25	16	142	40	221	244	M16	160	6.03	1
2-S-G-C-W5-*-185-198	185	198	185/187/190/191/193,7/195/196/197	25	16	142	40	236	262	M16	160	6.46	1
2-S-G-C-W5-*-198-211	198	211	200/202/203/204/205/206/208/210	25	16	142	40	249	275	M16	160	6.66	1
2-S-G-G-W5-*-210-223	210	223	211/212/215/216/217/219,1/220/222	25	16	146	40	261	287	M16	160	9.18	1
2-S-G-G-W5-*-221-234	221	234	224/225/226/228/229/230/232/234	25	16	146	40	272	298	M16	160	9.45	1
2-S-G-G-W5-*-234-247	234	247	236/238/240/241/242/244/244,5/246	25	16	146	40	285	311	M16	160	9.78	1
** 2-S-G-G-W5-*-247-260	247	260	248/249/250/252/254/255/256/257/259	25	16	146	40	298	324	M16	160	10.11	1
** 2-S-G-G-W5-*-263-276	263	276	264/268/267/271/272/273,1/274/275	25	16	146	40	314	340	M16	160	10.51	1
2-S-G-G-W5-*-277-290	277	290	278/280/284/286/287/288/289	25	16	146	40	328	354	M16	160	10.86	1

*Article Nr.: E for EPDM, N for NBR and V for Viton.

**Restricted working conditions for CuNiFe tubes with a wall thickness ≤ to 4 mm. Pipe dimensions may only be loaded with max PN 2.5.

UNI-GRIP SE Ø 64 - 172 MM | PN16/10

Steel materials Components	W5 (standard)	W4 (on request)	W2 (on request)	
Casing	1.4571 / 316 Ti	1.4301 / 304	1.4016 / 301	
Bolts	A4-80 / 316 Ti	A4-80 / 316 Ti	A4-80 / 316 Ti	
Bars	1.4571 / 316 Ti	1.4301 / 304	1.0760 / 1141	
Anchoring rings	1.4310 / 301	1.4310 / 301	1.4310 / 301	
Strip Insert (Optional)	1.4571 (316 Ti)	1.4571 (316 Ti)	1.4571 (316 Ti)	

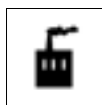
Sealing Sleeve Application	EPDM	NBR	Viton (on request)	Silicone (on request)
Temperature range	-30°C up to +125°C	-20°C up to +80°C	-20°C up to +180°C	
Medium	all qualities of water, waste water, air, solids and chemical products	water, gas, oil, fuel and other hydrocarbons	ozone, oxygen, acids, gas, oil and fuel (only with strip insert)	

Important remarks:

- + Follow fitting/disassembly instructions
- + The pressure values are valid for radial rigid carbon steel pipes with a minimal wall thickness under static loads
- + For metric to imperial conversion table see page 28
- + Strip inserts are required for special applications
- + Free from paint wetting disruptive substances

Technical details are subject to change. Typing errors may occur.

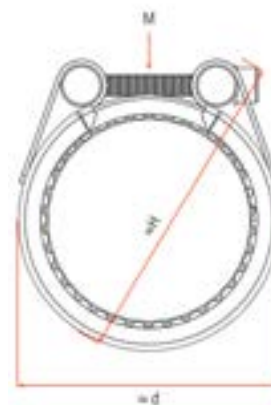
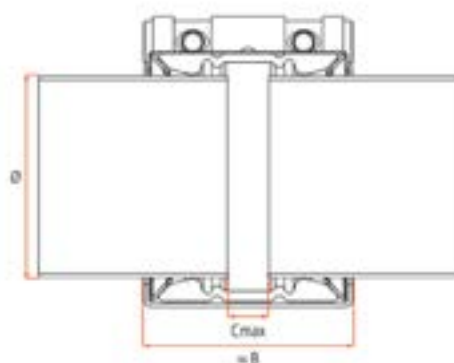
Pressure indication:



= Working pressure for industrial and land-based applications with 1.5x safety factor in bars



= Working pressure for marine applications with 4x safety factor in bars





Article Nr.	OD Ø min.	OD Ø max.	OD Ø Nominal	Pressure		Coupling dimensions not fitted					Torque rate (Nm)	Weight ≈ kg/pcs.	Packing quantity
				PN	PN	≈ B	Cmax	≈ d	≈ H	M			
1-SE-G-W5-*-64-72	64	72	66.6/68/69/70	16	10	95	30	108	164	M10	40	1.00	10
1-SE-G-W5-*-72-80	72	80	73/76.1/79.5	16	10	95	30	108	164	M10	40	1.00	10
1-SE-G-W5-*-80-88	80	88	84	16	10	95	30	124	170	M10	40	1.00	10
1-SE-G-W5-*-88-96	88	96	88.9	16	10	95	30	124	170	M10	40	1.00	10
1-SE-G-W5-*-97-105	97	105	98/100.6/101.6/104	16	10	95	30	141	187	M10	40	1.10	10
1-SE-G-W5-*-104-112	104	112	104.8/108/110	16	10	95	30	141	187	M10	40	1.10	10
1-SE-G-W5-*-112-120	112	120	114.3/118	16	10	95	30	158	202	M10	40	1.20	10
1-SE-G-W5-*-122-130	122	130	125/127/129	16	10	95	30	158	202	M10	40	1.20	10
1-SE-G-W5-*-129-137	129	137	130.2/131/133	16	10	110	40	178	230	M12	65	2.10	5
1-SE-G-W5-*-137-145	137	145	139.7/141.3/141.6	16	10	110	40	186	238	M12	65	2.20	5
1-SE-G-W5-*-149-157	149	157	154/155	16	10	110	40	197	249	M12	65	2.30	5
1-SE-G-W5-*-157-165	157	165	159	16	10	110	40	205	255	M12	65	2.30	5
1-SE-G-W5-*-164-172	164	172	165/168.3	16	10	110	40	212	262	M12	65	2.40	5

*Article Nr.: E for EPDM and N for NBR.

UNI-GRIP S Ø 210 - 374 MM | PN16/10

Steel materials Components	W5 (standard)	W4 (on request)	W2 (on request)	
Casing	1.4571 / 316 Ti	1.4301 / 304	1.4016 / 301	
Bolts	A4-80 / 316 Ti	A4-80 / 316 Ti	A4-80 / 316 Ti	
Bars	1.4571 / 316 Ti	1.4301 / 304	1.0760 / 1141	
Anchoring rings	1.4310 / 301	1.4310 / 301	1.4310 / 301	
Strip Insert (Optional)	1.4571 (316 Ti)	1.4571 (316 Ti)	1.4571 (316 Ti)	

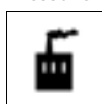
Sealing Sleeve Application	EPDM	NBR	Viton	Silicone (on request)
Temperature range	-30°C up to +125°C	-20°C up to +80°C	-20°C up to +180°C	
Medium	all qualities of water, waste water, air, solids and chemical products	water, gas, oil, fuel and other hydrocarbons	ozone, oxygen, acids, gas, oil and fuel (only with strip insert)	

Important remarks:

- + Follow fitting/disassembly instructions
- + The pressure values are valid for radial rigid carbon steel pipes with a minimal wall thickness under static loads
- + For metric to imperial conversion table see page 28
- + Strip inserts are required for special applications
- + Free from paint wetting disruptive substances

Technical details are subject to change. Typing errors may occur.

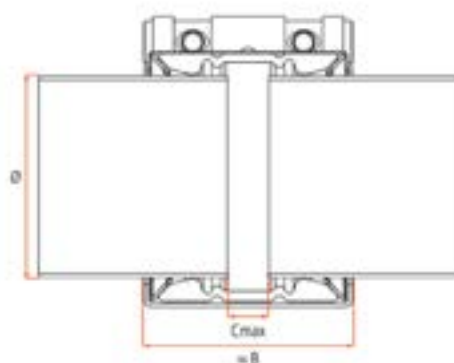
Pressure indication:



= Working pressure for industrial and land-based applications with 1.5x safety factor in bars



= Working pressure for marine applications with 4x safety factor in bars





Article Nr.	OD Ø min.	OD Ø max.	OD Ø Nominal	Pressure		Coupling dimensions not fitted				Torque rate (Nm)	Weight ≈ kg/pcs.	Packing quantity	
				PN	PN	≈ B	Cmax	≈ d	≈ H				M
2-S-G-C-W5*-210-223	210	223	211/212/215/216/217/219,1/220/222	16	10	142	40	261	287	M16	160	6.86	1
2-S-G-C-W5*-221-234	221	234	224/225/226/228/229/230/232/234	16	10	142	40	272	298	M16	160	7.03	1
2-S-G-C-W5*-234-247	234	247	236/238/240/241/242/244/244,5/246	16	10	142	40	285	311	M16	160	7.24	1
2-S-G-C-W5*-247-260	247	260	248/249/250/252/254/255/256/257/259	16	10	142	40	298	324	M16	160	7.45	1
** 2-S-G-C-W5*-263-276	263	276	264/268/267/271/272/273,1/274/275	16	10	142	40	314	340	M16	160	7.71	1
** 2-S-G-C-W5*-277-290	277	290	278/280/284/286/287/288/289	16	10	146	40	328	354	M16	160	7.93	1
** 2-S-G-G-W5*-288-301	288	301	290/292/295/296/298/300	16	10	146	40	339	365	M16	160	11.13	1
** 2-S-G-G-W5*-301-314	301	314	304/305/306/308/310/311/313	16	10	146	40	352	378	M16	160	11.46	1
** 2-S-G-G-W5*-315-328	315	328	315/316/318/320/321/323,9/326/327	16	10	146	40	366	392	M16	160	11.81	1
** 2-S-G-G-W5*-327-340	327	340	330/333,8/334/336/337/339	16	10	146	40	378	404	M16	160	12.11	1
** 2-S-G-G-W5*-340-353	340	353	340/342/343/345/346/348/350/352	16	10	146	40	391	417	M16	160	12.43	1
** 2-S-G-G-W5*-350-363	350	363	352/353/354/355/355,6/356/358/360/362	16	10	146	40	401	427	M16	160	12.68	1
** 2-S-G-G-W5*-361-374	361	374	367/368/372	16	10	146	40	412	438	M16	160	12.96	1

*Article Nr.: E for EPDM, N for NBR and V for Viton.

**Restricted working conditions for CuNiFe tubes with a wall thickness ≤ to 4 mm. Pipe dimensions may only be loaded with max PN 2.5.

UNI-GRIP S Ø 172 - 516 MM | PN10/6

Steel materials Components	W5 (standard)	W4 (on request)	W2 (on request)	
Casing	1.4571 / 316 Ti	1.4301 / 304	1.4016 / 301	
Bolts	A4-80 / 316 Ti	A4-80 / 316 Ti	A4-80 / 316 Ti	
Bars	1.4571 / 316 Ti	1.4301 / 304	1.0760 / 1141	
Anchoring rings	1.4310 / 301	1.4310 / 301	1.4310 / 301	
Strip Insert (Optional)	1.4571 (316 Ti)	1.4571 (316 Ti)	1.4571 (316 Ti)	

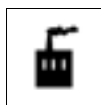
Sealing Sleeve Application	EPDM	NBR	Viton	Silicone (on request)
Temperature range	-30°C up to +125°C	-20°C up to +80°C	-20°C up to +180°C	
Medium	all qualities of water, waste water, air, solids and chemical products	water, gas, oil, fuel and other hydrocarbons	ozone, oxygen, acids, gas, oil and fuel (only with strip insert)	

Important remarks:

- + Follow fitting/disassembly instructions
- + The pressure values are valid for radial rigid carbon steel pipes with a minimal wall thickness under static loads
- + For metric to imperial conversion table see page 28
- + Strip inserts are required for special applications
- + Free from paint wetting disruptive substances

Technical details are subject to change. Typing errors may occur.

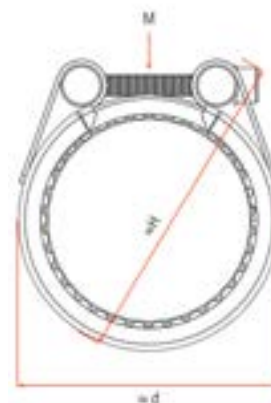
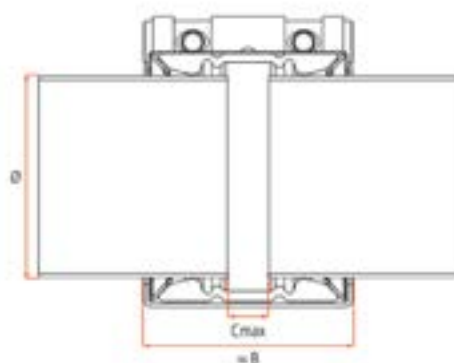
Pressure indication:



= Working pressure for industrial and land-based applications with 1.5x safety factor in bars



= Working pressure for marine applications with 4x safety factor in bars





Article Nr.	OD Ø min.	OD Ø max.	OD Ø Nominal	Pressure		Coupling dimensions not fitted				Torque rate (Nm)	Weight ≈ kg/pcs.	Packing quantity	
				PN	PN	≈ B	Cmax	≈ d	≈ H				M
2-S-G-B-W5-*-172-185	172	185	180	10	6	140	40	221	244	M16	160	5.03	1
2-S-G-B-W5-*-185-198	185	198	185/187/190/191/193,7/195/196/197	10	6	140	40	236	262	M16	160	5.39	1
2-S-G-B-W5-*-198-211	198	211	200/202/203/204/205/206/208/210	10	6	140	40	249	275	M16	160	5.57	1
2-S-G-B-W5-*-210-223	210	223	211/212/215/216/217/219,1/220/222	10	6	140	40	261	287	M16	160	5.74	1
2-S-G-B-W5-*-221-234	221	234	224/225/226/228/229/230/232/234	10	6	140	40	272	298	M16	160	5.89	1
2-S-G-B-W5-*-234-247	234	247	236/238/240/241/242/244/244,5/246	10	6	140	40	285	311	M16	160	6.07	1
** 2-S-G-B-W5-*-247-260	247	260	248/249/250/252/254/255/256/257/259	10	6	140	40	298	324	M16	160	6.25	1
** 2-S-G-B-W5-*-263-276	263	276	264/268/267/271/272/273,1/274/275	10	6	140	40	314	340	M16	160	6.47	1
** 2-S-G-B-W5-*-277-290	277	290	278/280/284/286/287/288/289	10	6	142	40	328	354	M16	160	6.66	1
** 2-S-G-C-W5-*-288-301	288	301	290/292/295/296/298/300	10	6	142	40	339	365	M16	160	8.11	1
** 2-S-G-C-W5-*-301-314	301	314	304/305/306/308/310/311/313	10	6	142	40	352	378	M16	160	8.32	1
** 2-S-G-C-W5-*-315-328	315	328	315/316/318/320/321/323,9/326/327	10	6	142	40	366	392	M16	160	8.54	1
** 2-S-G-C-W5-*-327-340	327	340	330/333,8/334/336/337/339	10	6	142	40	378	404	M16	160	8.73	1
** 2-S-G-C-W5-*-340-353	340	353	340/342/343/345/346/348/350/352	10	6	142	40	391	417	M16	160	8.94	1
** 2-S-G-C-W5-*-350-363	350	363	352/353/354/355/355,6/356/358/360/362	10	6	142	40	401	427	M16	160	9.10	1
** 2-S-G-C-W5-*-361-374	361	374	367/368/372	10	6	142	40	412	438	M16	160	9.28	1
** 2-S-G-G-W5-*-374-387	374	387	376/378/380/382/384/385/386	10	6	146	40	425	451	M16	160	13.28	1
** 2-S-G-G-W5-*-387-400	387	400	388/392/394/395/396/398/399	10	6	146	40	438	464	M16	160	13.61	1
2-S-G-G-W5-*-400-413	400	413	400/403/404/405/406/406,4/408/410/412	10	6	146	40	451	477	M16	160	13.93	1
2-S-G-G-W5-*-412-425	412	425	419/420/421	10	6	146	40	463	489	M16	160	14.23	1
2-S-G-G-W5-*-422-435	422	435	426/427/428/429/430/432/433/434	10	6	146	40	473	499	M16	160	14.48	1
2-S-G-G-W5-*-438-451	438	451	439/440/441/442/444/448/450	10	6	146	40	489	515	M16	160	14.88	1
2-S-G-G-W5-*-451-464	451	464	452/453/454/456/457,2/459/460/463	10	6	146	40	502	528	M16	160	15.21	1
2-S-G-G-W5-*-460-473	460	473	464/468/470	10	6	146	40	511	537	M16	160	15.43	1
2-S-G-G-W5-*-476-489	476	489	478/480/486/488	10	6	146	40	527	553	M16	160	15.83	1
2-S-G-G-W5-*-488-501	488	501	490/492/494/496/498/500	10	6	146	40	539	565	M16	160	16.13	1
2-S-G-G-W5-*-503-516	503	516	504/506/507/508/510/512/514/515	10	6	146	40	554	580	M16	160	16.51	1

*Article Nr.: E for EPDM, N for NBR and V for Viton.

**Restricted working conditions for CuNiFe tubes with a wall thickness ≤ to 4 mm. Pipe dimensions may only be loaded with max PN 2.5.

UNI-GRIP S Ø 288 - 745 MM | PN6/2.5

Steel materials Components	W5 (standard)	W4 (on request)	W2 (on request)	
Casing	1.4571 / 316 Ti	1.4301 / 304	1.4016 / 301	
Bolts	A4-80 / 316 Ti	A4-80 / 316 Ti	A4-80 / 316 Ti	
Bars	1.4571 / 316 Ti	1.4301 / 304	1.0760 / 1141	
Anchoring rings	1.4310 / 301	1.4310 / 301	1.4310 / 301	
Strip Insert (Optional)	1.4571 (316 Ti)	1.4571 (316 Ti)	1.4571 (316 Ti)	

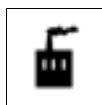
Sealing Sleeve Application	EPDM	NBR	Viton	Silicone (on request)
Temperature range	-30°C up to +125°C	-20°C up to +80°C	-20°C up to +180°C	
Medium	all qualities of water, waste water, air, solids and chemical products	water, gas, oil, fuel and other hydrocarbons	ozone, oxygen, acids, gas, oil and fuel (only with strip insert)	

Important remarks:

- + Follow fitting/disassembly instructions
- + The pressure values are valid for radial rigid carbon steel pipes with a minimal wall thickness under static loads
- + For metric to imperial conversion table see page 28
- + Strip inserts are required for special applications
- + Free from paint wetting disruptive substances

Technical details are subject to change. Typing errors may occur.

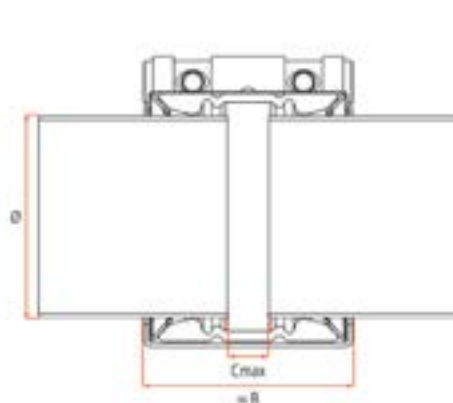
Pressure indication:



= Working pressure for industrial and land-based applications with 1.5x safety factor in bars



= Working pressure for marine applications with 4x safety factor in bars





Article Nr.	OD Ø min.	OD Ø max.	OD Ø Nominal	Pressure		Coupling dimensions not fitted					Torque rate (Nm)	Weight ≈ kg/pcs.	Packing quantity
				PN	PN	≈ B	Cmax	≈ d	≈ H	M			
2-S-G-B-W5*-288-301	288	301	290/292/295/296/298/300	6	2.5	140	40	339	365	M16	160	6.81	1
2-S-G-B-W5*-301-314	301	314	304/305/306/308/310/311/313	6	2.5	140	40	352	378	M16	160	6.99	1
2-S-G-B-W5*-315-328	315	328	315/316/318/320/321/323,9/326/327	6	2.5	140	40	366	392	M16	160	7.19	1
2-S-G-B-W5*-327-340	327	340	330/333,8/334/336/337/339	6	2.5	140	40	378	404	M16	160	7.35	1
2-S-G-B-W5*-340-353	340	353	340/342/343/345/346/348/350/352	6	2.5	140	40	391	417	M16	160	7.53	1
2-S-G-B-W5*-350-363	350	363	352/353/354/355/355,6/356/358/360/362	6	2.5	140	40	401	427	M16	160	7.67	1
2-S-G-B-W5*-361-374	361	374	367/368/372	6	2.5	140	40	412	438	M16	160	7.82	1
2-S-G-C-W5*-374-387	374	387	376/378/380/382/384/385/386	6	2.5	142	40	425	451	M16	160	9.49	1
2-S-G-C-W5*-387-400	387	400	388/392/394/395/396/398/399	6	2.5	142	40	438	464	M16	160	9.70	1
2-S-G-C-W5*-400-413	400	413	400/403/404/405/406/406,4/408/410/412	6	2.5	142	40	451	477	M16	160	9.90	1
2-S-G-C-W5*-412-425	412	425	419/420/421	6	2.5	142	40	463	489	M16	160	10.10	1
2-S-G-C-W5*-422-435	422	435	426/427/428/429/430/432/433/434	6	2.5	142	40	473	499	M16	160	10.26	1
2-S-G-C-W5*-438-451	438	451	439/440/441/442/444/448/450	6	2.5	142	40	489	515	M16	160	10.51	1
2-S-G-C-W5*-451-464	451	464	452/453/454/456/457,2/459/460/463	6	2.5	142	40	502	528	M16	160	10.72	1
2-S-G-C-W5*-460-473	460	473	464/468/470	6	2.5	142	40	511	537	M16	160	10.87	1
2-S-G-C-W5*-476-489	476	489	478/480/486/488	6	2.5	142	40	527	553	M16	160	11.12	1
2-S-G-C-W5*-488-501	488	501	490/492/494/496/498/500	6	2.5	142	40	539	565	M16	160	11.31	1
2-S-G-C-W5*-503-516	503	516	504/506/507/508/510/512/514/515	6	2.5	142	40	554	580	M16	160	11.56	1
2-S-G-G-W5*-520-533	520	533	520/521/524/526/530/532	6	2.5	146	40	575	603	M16	160	16.94	1
2-S-G-G-W5*-531-544	531	544	537/538/540/542/543	6	2.5	146	40	586	614	M16	160	17.21	1
2-S-G-G-W5*-546-559	546	559	546/548/549/550/558	6	2.5	146	40	601	629	M16	160	17.59	1
2-S-G-G-W5*-557-570	557	570	559/560/564/568	6	2.5	146	40	612	640	M16	160	17.86	1
2-S-G-G-W5*-571-584	571	584	571/572/574/576/582/583	6	2.5	146	40	626	654	M16	160	18.21	1
2-S-G-G-W5*-600-613	600	613	600/605/606/609,6/610/612	6	2.5	146	40	655	683	M16	160	18.94	1
2-S-G-G-W5*-610-623	610	623	613,7/620/622	6	2.5	146	40	665	693	M16	160	19.19	1
2-S-G-G-W5*-628-641	628	641	630/632/633/634/635/640	6	2.5	146	40	683	711	M16	160	19.64	1
2-S-G-G-W5*-648-661	648	661	650/651/654/655/658/659/660	6	2.5	146	40	703	731	M16	160	20.14	1
2-S-G-G-W5*-676-689	676	689	676/677/678/680/686/688	6	2.5	146	40	731	759	M16	160	20.84	1
2-S-G-G-W5*-688-701	688	701	690/691/698/700	6	2.5	146	40	743	771	M16	160	21.14	1
2-S-G-G-W5*-700-713	700	713	702,6/705/710/711,2	6	2.5	146	40	755	783	M16	160	21.44	1
2-S-G-G-W5*-717-730	717	730	718/720/726/729	6	2.5	146	40	772	800	M16	160	21.86	1
2-S-G-G-W5*-732-745	732	745	734/735/738/743/744	6	2.5	146	40	787	815	M16	160	22.24	1

*Article Nr.: E for EPDM, N for NBR and V for Viton.

UNI-PLASTGRIP S Ø 39 - 172 MM | PN16/10

Steel materials Components	W5 (standard)	W4 (on request)	W2 (on request)	
Casing	1.4571 / 316 Ti	1.4301 / 304	1.4016 / 301	
Bolts	A4-80 / 316 Ti	A4-80 / 316 Ti	A4-80 / 316 Ti	
Bars	1.4571 / 316 Ti	1.4301 / 304	1.0760 / 1141	
Anchoring rings	1.4404 / 316 L	1.4404 / 316 L	1.4404 / 316 L	
Strip Insert (Optional)	1.4571 (316 Ti)	1.4571 (316 Ti)	1.4571 (316 Ti)	

Sealing Sleeve Application	EPDM	NBR	Viton (on request)	Silicone (on request)
Temperature range	-30°C up to +125°C	-20°C up to +80°C	-20°C up to +180°C	
Medium	all qualities of water, waste water, air, solids and chemical products	water, gas, oil, fuel and other hydrocarbons	ozone, oxygen, acids, gas, oil and fuel (only with strip insert)	

Important remarks:

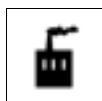
- + Follow fitting/disassembly instructions
- + The pressure values are valid for radial rigid carbon steel pipes with a minimal wall thickness under static loads
- + For metric to imperial conversion table see page 28
- + Strip inserts are required for special applications
- + Free from paint wetting disruptive substances

Use insert stiffeners for installation on PE, PVC, PP or PB pipes! (page 116 & 117)



Technical details are subject to change. Typing errors may occur.

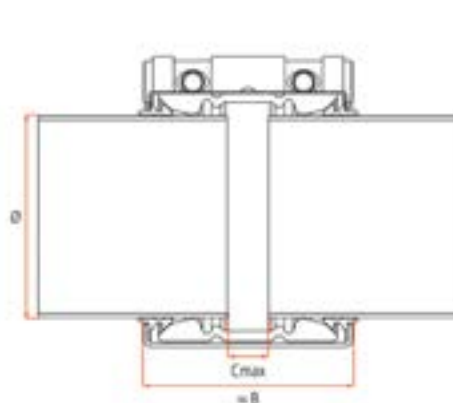
Pressure indication:



= Working pressure for industrial and land-based applications with 1.5x safety factor in bars



= Working pressure for marine applications with 4x safety factor in bars





Article Nr.	OD Ø min.	OD Ø max.	OD Ø Nominal	Pressure		Coupling dimensions not fitted				Torque rate (Nm)	Weight ≈ kg/pcs.	Packing quantity	
				PN	PN	≈ B	Cmax	≈ d	≈ H				M
1-S-PG-W5-*-39-43	39	43	42.4/40	16	10	60	15	66	104	M8	25	0.40	10
1-S-PG-W5-*-47-52,5	47.5	52.5	48.3/50	16	10	60	15	74	112	M8	25	0.50	10
1-S-PG-W5-*-58-64	58	64	60.3/63	16	10	75	25	85	125	M8	25	0.60	10
1-S-PG-W5-*-72-80	72	80	73/75/76.1/79.5	16	10	95	30	108	164	M10	40	1.40	10
1-S-PG-W5-*-88-96	88	96	88.9/90	16	10	95	30	124	170	M10	40	1.50	10
1-S-PG-W5-*-104-112	104	112	104.8/108/110	16	10	95	30	141	187	M10	40	1.70	10
1-S-PG-W5-*-108-115	108	115	110/114.3	16	10	95	30	141	187	M10	40	1.70	10
1-S-PG-W5-*-122-130	122	130	125/127/129	16	10	95	30	158	202	M10	40	1.80	10
1-S-PG-W5-*-137-145	137	145	139.7/140/141.3/141.6	16	10	110	40	186	238	M12	65	3.50	5
1-S-PG-W5-*-157-165	157	165	159/160	16	10	110	40	205	255	M12	65	3.70	5
1-S-PG-W5-*-164-172	164	172	165/168.3	16	10	110	40	212	262	M12	65	3.80	5

*Article Nr.: E for EPDM and N for NBR.

UNI-PLASTGRIP S Ø 172 - 363 MM | PN16/10

Steel materials Components	W5 (standard)	W4 (on request)	W2 (on request)	
Casing	1.4571 / 316 Ti	1.4301 / 304	1.4016 / 301	
Bolts	A4-80 / 316 Ti	A4-80 / 316 Ti	A4-80 / 316 Ti	
Bars	1.4571 / 316 Ti	1.4301 / 304	1.0760 / 1141	
Anchoring rings	1.4404 / 316 L	1.4404 / 316 L	1.4404 / 316 L	
Strip Insert (Optional)	1.4571 (316 Ti)	1.4571 (316 Ti)	1.4571 (316 Ti)	

Sealing Sleeve Application	EPDM	NBR	Viton	Silicone (on request)
Temperature range	-30°C up to +125°C	-20°C up to +80°C	-20°C up to +180°C	
Medium	all qualities of water, waste water, air, solids and chemical products	water, gas, oil, fuel and other hydrocarbons	ozone, oxygen, acids, gas, oil and fuel (only with strip insert)	

Important remarks:

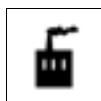
- + Follow fitting/disassembly instructions
- + The pressure values are valid for radial rigid carbon steel pipes with a minimal wall thickness under static loads
- + For metric to imperial conversion table see page 28
- + Strip inserts are required for special applications
- + Free from paint wetting disruptive substances

Use insert stiffeners for installation on PE, PVC, PP or PB pipes! (page 116 & 117)



Technical details are subject to change. Typing errors may occur.

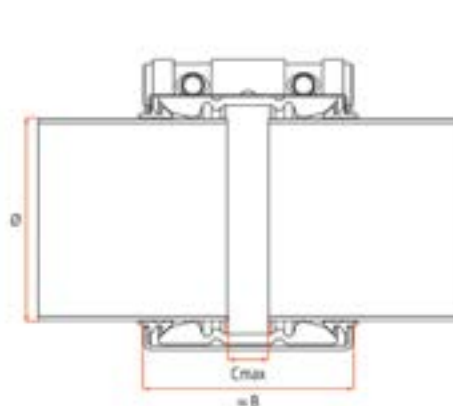
Pressure indication:



= Working pressure for industrial and land-based applications with 1.5x safety factor in bars



= Working pressure for marine applications with 4x safety factor in bars





Article Nr.	OD Ø min.	OD Ø max.	OD Ø Nominal	Pressure		Coupling dimensions not fitted				Torque rate (Nm)	Weight ≈ kg/pcs.	Packing quantity	
				PN	PN	≈ B	Cmax	≈ d	≈ H				M
2-S-PG-C-W5-*-172-185	172	185	180	16	10	142	40	223	249	M16	160	6.23	1
2-S-PG-C-W5-*-195-208	195	208	200/202/203/204/205/206/208	16	10	142	40	246	272	M16	160	6.80	1
2-S-PG-C-W5-*-215-228	215	228	219.1/220/222/224/225/226/228	16	10	142	40	266	292	M16	160	7.30	1
2-S-PG-C-W5-*-247-260	247	260	250/252/254/255/256/257/259	16	10	142	40	298	324	M16	160	8.10	1
2-S-PG-C-W5-*-269-282	269	282	272/273.1/274/275/278/280	16	10	142	40	320	346	M16	160	8.65	1
2-S-PG-G-W5-*-312-325	312	325	315/316/318/320/321/323.9	16	10	146	40	363	389	M16	160	11.11	1
2-S-PG-G-W5-*-350-363	350	363	353/354/355/355.6/356/358/360/362	16	10	146	40	401	427	M16	160	12.20	1

*Article Nr.: E for EPDM, N for NBR and V for Viton.

UNI-PLASTGRIP SE Ø 72 - 172 MM | PN10/6

Steel materials Components	W5 (standard)	W4 (on request)	W2 (on request)	
Casing	1.4571 / 316 Ti	1.4301 / 304	1.4016 / 301	
Bolts	A4-80 / 316 Ti	A4-80 / 316 Ti	A4-80 / 316 Ti	
Bars	1.4571 / 316 Ti	1.4301 / 304	1.0760 / 1141	
Anchoring rings	1.4404 / 316 L	1.4404 / 316 L	1.4404 / 316 L	
Strip Insert (Optional)	1.4571 (316 Ti)	1.4571 (316 Ti)	1.4571 (316 Ti)	

Sealing Sleeve Application	EPDM	NBR	Viton (on request)	Silicone (on request)
Temperature range	-30°C up to +125°C	-20°C up to +80°C	-20°C up to +180°C	
Medium	all qualities of water, waste water, air, solids and chemical products	water, gas, oil, fuel and other hydrocarbons	ozone, oxygen, acids, gas, oil and fuel (only with strip insert)	

Important remarks:

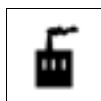
- + Follow fitting/disassembly instructions
- + The pressure values are valid for radial rigid carbon steel pipes with a minimal wall thickness under static loads
- + For metric to imperial conversion table see page 28
- + Strip inserts are required for special applications
- + Free from paint wetting disruptive substances

Use insert stiffeners for installation on PE, PVC, PP or PB pipes! (page 116 & 117)



Technical details are subject to change. Typing errors may occur.

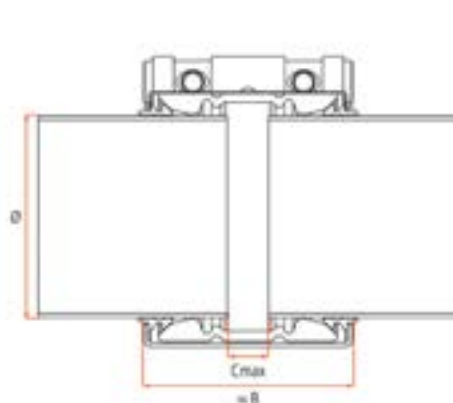
Pressure indication:



= Working pressure for industrial and land-based applications with 1.5x safety factor in bars



= Working pressure for marine applications with 4x safety factor in bars





Article Nr.	OD Ø min.	OD Ø max.	OD Ø Nominal	Pressure		Coupling dimensions not fitted				Torque rate (Nm)	Weight ≈ kg/pcs.	Packing quantity	
				PN	PN	≈ B	Cmax	≈ d	≈ H				M
1-SE-PG-W5-*-72-80	72	80	73/75/76.1/79.5	10	6	95	30	108	164	M10	40	1.00	10
1-SE-PG-W5-*-88-96	88	96	88.9/90	10	6	95	30	124	170	M10	40	1.00	10
1-SE-PG-W5-*-104-112	104	112	104.8/108/110	10	6	95	30	141	187	M10	40	1.10	10
1-SE-PG-W5-*-108-115	108	115	110/114.3	10	6	95	30	141	187	M10	40	1.20	10
1-SE-PG-W5-*-122-130	122	130	125/127/129	10	6	95	30	158	202	M10	40	1.20	10
1-SE-PG-W5-*-137-145	137	145	139.7/140/141.3/141.6	10	6	110	40	186	238	M12	65	2.20	5
1-SE-PG-W5-*-157-165	157	165	159/160	10	6	110	40	205	255	M12	65	2.30	5
1-SE-PG-W5-*-164-172	164	172	165/168.3	10	6	110	40	212	262	M12	65	2.40	5

*Article Nr.: E for EPDM and N for NBR.

UNI-PLASTGRIP S Ø 172 - 515 MM | PN10/6

Steel materials Components	W5 (standard)	W4 (on request)	W2 (on request)	
Casing	1.4571 / 316 Ti	1.4301 / 304	1.4016 / 301	
Bolts	A4-80 / 316 Ti	A4-80 / 316 Ti	A4-80 / 316 Ti	
Bars	1.4571 / 316 Ti	1.4301 / 304	1.0760 / 1141	
Anchoring rings	1.4404 / 316 L	1.4404 / 316 L	1.4404 / 316 L	
Strip Insert (Optional)	1.4571 (316 Ti)	1.4571 (316 Ti)	1.4571 (316 Ti)	

Sealing Sleeve Application	EPDM	NBR	Viton	Silicone (on request)
Temperature range	-30°C up to +125°C	-20°C up to +80°C	-20°C up to +180°C	
Medium	all qualities of water, waste water, air, solids and chemical products	water, gas, oil, fuel and other hydrocarbons	ozone, oxygen, acids, gas, oil and fuel (only with strip insert)	

Important remarks:

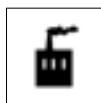
- + Follow fitting/disassembly instructions
- + The pressure values are valid for radial rigid carbon steel pipes with a minimal wall thickness under static loads
- + For metric to imperial conversion table see page 28
- + Strip inserts are required for special applications
- + Free from paint wetting disruptive substances
- + Article Nr. S2 = 2 pieces

Use insert stiffeners for installation on PE, PVC, PP or PB pipes! (page 116 & 117)



Technical details are subject to change. Typing errors may occur.

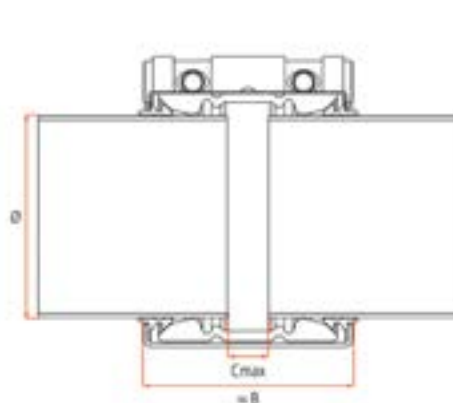
Pressure indication:



= Working pressure for industrial and land-based applications with 1.5x safety factor in bars



= Working pressure for marine applications with 4x safety factor in bars





Article Nr.	OD Ø min.	OD Ø max.	OD Ø Nominal	Pressure		Coupling dimensions not fitted				Torque rate (Nm)	Weight ≈ kg/pcs.	Packing quantity	
				PN	PN	≈ B	Cmax	≈ d	≈ H				M
2-S-PG-B-W5-*-172-185	172	185	180	10	6	140	40	223	249	M16	160	4.98	1
2-S-PG-B-W5-*-195-208	195	208	200/202/203/204/205/206/208	10	6	140	40	246	272	M16	160	5.44	1
2-S-PG-B-W5-*-215-228	215	228	219.1/220/222/224/225/226/228	10	6	140	40	266	292	M16	160	5.84	1
2-S-PG-B-W5-*-247-260	247	260	250/252/254/255/256/257/259	10	6	140	40	298	324	M16	160	6.48	1
2-S-PG-B-W5-*-269-282	269	282	272/273.1/274/275/278/280	10	6	140	40	320	346	M16	160	6.92	1
2-S-PG-C-W5-*-312-325	312	325	315/316/318/320/321/323.9	10	6	142	40	363	389	M16	160	8.64	1
2-S-PG-C-W5-*-350-363	350	363	353/354/355/355.6/356/358/360/362	10	6	142	40	401	427	M16	160	9.49	1
2-S-PG-C-W5-*-395-408	395	408	398/399/400/403/404/405/406/406.4/408	10	6	146	40	446	472	M16	160	13.49	1
2-S2-PG-G-W5-*-434-460	447	460	448/450/452/453/454/456/457.2/459/460	10	6	146	40	498	524	M16	160	17.47	1
2-S2-PG-G-W5-*-489-515	502	515	504/506/507/508/510/512/514/515	10	6	146	40	553	579	M16	160	19.30	1

*Article Nr.: E for EPDM. N for NBR and V for Viton.

UNI-PLASTGRIP S Ø 312 - 640 MM | PN6/2.5

Steel materials Components	W5 (standard)	W4 (on request)	W2 (on request)	
Casing	1.4571 / 316 Ti	1.4301 / 304	1.4016 / 301	
Bolts	A4-80 / 316 Ti	A4-80 / 316 Ti	A4-80 / 316 Ti	
Bars	1.4571 / 316 Ti	1.4301 / 304	1.0760 / 1141	
Anchoring rings	1.4404 / 316 L	1.4404 / 316 L	1.4404 / 316 L	
Strip Insert (Optional)	1.4571 (316 Ti)	1.4571 (316 Ti)	1.4571 (316 Ti)	

Sealing Sleeve Application	EPDM	NBR	Viton	Silicone (on request)
Temperature range	-30°C up to +125°C	-20°C up to +80°C	-20°C up to +180°C	
Medium	all qualities of water, waste water, air, solids and chemical products	water, gas, oil, fuel and other hydrocarbons	ozone, oxygen, acids, gas, oil and fuel (only with strip insert)	

Important remarks:

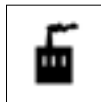
- + Follow fitting/disassembly instructions
- + The pressure values are valid for radial rigid carbon steel pipes with a minimal wall thickness under static loads
- + For metric to imperial conversion table see page 28
- + Strip inserts are required for special applications
- + Free from paint wetting disruptive substances
- + Article Nr. S2 = 2 pieces, S3 = 3 pieces, S4 = 4 pieces

Use insert stiffeners for installation on PE, PVC, PP or PB pipes! (page 116 & 117)



Technical details are subject to change. Typing errors may occur.

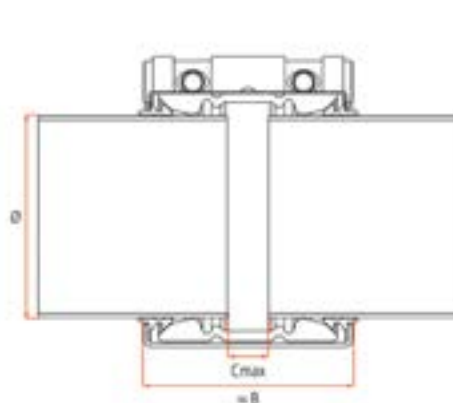
Pressure indication:



= Working pressure for industrial and land-based applications with 1.5x safety factor in bars



= Working pressure for marine applications with 4x safety factor in bars





Article Nr.	OD Ø min.	OD Ø max.	OD Ø Nominal	Pressure		Coupling dimensions not fitted					Torque rate (Nm)	Weight ≈ kg/pcs.	Packing quantity
				PN	PN	≈ B	Cmax	≈ d	≈ H	M			
2-S-PG-B-W5-*-312-325	312	325	315/316/318/320/321/323.9	6	2.5	140	40	363	389	M16	160	7.78	1
2-S-PG-B-W5-*-350-363	350	363	353/354/355/355.6/356/358/360/362	6	2.5	140	40	401	427	M16	160	8.54	1
2-S-PG-C-W5-*-395-408	395	408	398/399/400/403/404/405/406/406.4/408	6	2.5	142	40	446	472	M16	160	10.49	1
2-S2-PG-C-W5-*-447-460	447	460	448/450/452/453/454/456/457.2/459/460	6	2.5	142	40	498	524	M16	160	13.10	1
2-S2-PG-C-W5-*-502-515	502	515	504/506/507/508/510/512/514/515	6	2.5	142	40	553	579	M16	160	14.48	1
2-S3-PG-G-W5-*-557-570	557	570	558/559/560/564/568	6	2.5	146	40	608	634	M16	160	21.13	1
2-S4-PG-G-W5-*-627-640	627	640	630/632/633/634/635/640	6	2.5	146	40	678	704	M16	160	23.47	1

*Article Nr.: E for EPDM. N for NBR and V for Viton.

UNI-COMBIGRIP S Ø 39 - 172 MM | PN16/10

Steel materials Components	W5 (standard)	W4 (on request)	W2 (on request)	
Casing	1.4571 / 316 Ti	1.4301 / 304	1.4016 / 301	
Bolts	A4-80 / 316 Ti	A4-80 / 316 Ti	A4-80 / 316 Ti	
Bars	1.4571 / 316 Ti	1.4301 / 304	1.0760 / 1141	
Anchoring rings	1.4404 / 316 L & 1.4310 / 301	1.4404 / 316 L & 1.4310 / 301	1.4404 / 316 L & 1.4310 / 301	
Strip Insert (Optional)	1.4571 (316 Ti)	1.4571 (316 Ti)	1.4571 (316 Ti)	

Sealing Sleeve Application	EPDM	NBR	Viton (on request)	Silicone (on request)
Temperature range	-30°C up to +125°C	-20°C up to +80°C	-20°C up to +180°C	
Medium	all qualities of water, waste water, air, solids and chemical products	water, gas, oil, fuel and other hydrocarbons	ozone, oxygen, acids, gas, oil and fuel (only with strip insert)	

Important remarks:

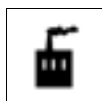
- + Follow fitting/disassembly instructions
- + The pressure values are valid for radial rigid carbon steel pipes with a minimal wall thickness under static loads
- + For metric to imperial conversion table see page 28
- + Strip inserts are required for special applications
- + Free from paint wetting disruptive substances

Use insert stiffeners for installation on PE, PVC, PP or PB pipes! (page 116 & 117)



Technical details are subject to change. Typing errors may occur.

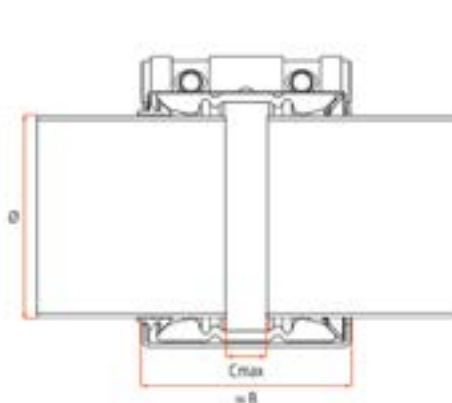
Pressure indication:



= Working pressure for industrial and land-based applications with 1.5x safety factor in bars



= Working pressure for marine applications with 4x safety factor in bars





Article Nr.	OD Ø min.	OD Ø max.	OD Ø Nominal	Pressure		Coupling dimensions not fitted				Torque rate (Nm)	Weight ≈ kg/pcs.	Packing quantity	
				PN	PN	≈ B	Cmax	≈ d	≈ H				M
1-S-CG-W5*-39-43	39	43	42.4/40	16	10	60	15	66	104	M8	25	0.40	10
1-S-CG-W5*-47-52,5	47.5	52.5	48.3/50	16	10	60	15	74	112	M8	25	0.50	10
1-S-CG-W5*-58-64	58	64	60.3/63	16	10	75	25	85	125	M8	25	0.60	10
1-S-CG-W5*-72-80	72	80	73/75/76.1/79.5	16	10	95	30	108	164	M10	40	1.40	10
1-S-CG-W5*-88-96	88	96	88.9/90	16	10	95	30	124	170	M10	40	1.50	10
1-S-CG-W5*-104-112	104	112	104.8/108/110	16	10	95	30	141	187	M10	40	1.70	10
1-S-CG-W5*-108-115	108	115	110/114.3	16	10	95	30	141	187	M10	40	1.70	10
1-S-CG-W5*-122-130	122	130	125/127/129	16	10	95	30	158	202	M10	40	1.80	10
1-S-CG-W5*-137-145	137	145	139.7/140/141.3/141.6	16	10	110	40	186	238	M12	65	3.50	5
1-S-CG-W5*-157-165	157	165	159/160	16	10	110	40	205	255	M12	65	3.70	5
1-S-CG-W5*-164-172	164	172	165/168.3	16	10	110	40	212	262	M12	65	3.80	5

*Article Nr.: E for EPDM and N for NBR.

UNI-COMBIGRIP S Ø 172 - 363 MM | PN16/10

Steel materials Components	W5 (standard)	W4 (on request)	W2 (on request)	
Casing	1.4571 / 316 Ti	1.4301 / 304	1.4016 / 301	
Bolts	A4-80 / 316 Ti	A4-80 / 316 Ti	A4-80 / 316 Ti	
Bars	1.4571 / 316 Ti	1.4301 / 304	1.0760 / 1141	
Anchoring rings	1.4404 / 316 L & 1.4310 / 301	1.4404 / 316 L & 1.4310 / 301	1.4404 / 316 L & 1.4310 / 301	
Strip Insert (Optional)	1.4571 (316 Ti)	1.4571 (316 Ti)	1.4571 (316 Ti)	

Sealing Sleeve Application	EPDM	NBR	Viton	Silicone (on request)
Temperature range	-30°C up to +125°C	-20°C up to +80°C	-20°C up to +180°C	
Medium	all qualities of water, waste water, air, solids and chemical products	water, gas, oil, fuel and other hydrocarbons	ozone, oxygen, acids, gas, oil and fuel (only with strip insert)	

Important remarks:

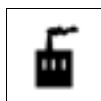
- + Follow fitting/disassembly instructions
- + The pressure values are valid for radial rigid carbon steel pipes with a minimal wall thickness under static loads
- + For metric to imperial conversion table see page 28
- + Strip inserts are required for special applications
- + Free from paint wetting disruptive substances

Use insert stiffeners for installation on PE, PVC, PP or PB pipes! (page 116 & 117)



Technical details are subject to change. Typing errors may occur.

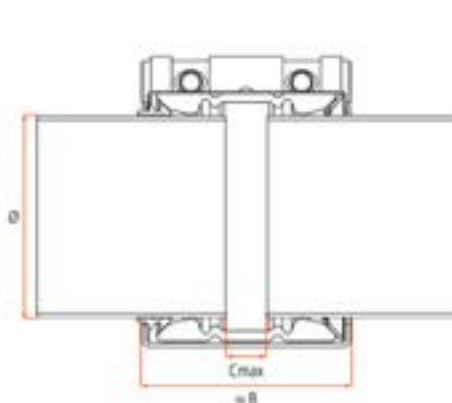
Pressure indication:



= Working pressure for industrial and land-based applications with 1.5x safety factor in bars



= Working pressure for marine applications with 4x safety factor in bars





Article Nr.	OD Ø min.	OD Ø max.	OD Ø Nominal	Pressure		Coupling dimensions not fitted				Torque rate (Nm)	Weight ≈ kg/pcs.	Packing quantity	
				PN	PN	≈ B	Cmax	≈ d	≈ H				M
2-S-CG-C-W5*-172-185	172	185	180	16	10	142	40	223	249	M16	160	6.23	1
2-S-CG-C-W5*-195-208	195	208	200/202/203/204/205/206/208	16	10	142	40	246	272	M16	160	6.80	1
2-S-CG-C-W5*-215-228	215	228	219.1/220/222/224/225/226/228	16	10	142	40	266	292	M16	160	7.30	1
2-S-CG-C-W5*-247-260	247	260	250/252/254/255/256/257/259	16	10	142	40	298	324	M16	160	8.10	1
2-S-CG-C-W5*-269-282	269	282	272/273.1/274/275/278/280	16	10	142	40	320	346	M16	160	8.65	1
2-S-CG-G-W5*-312-325	312	325	315/316/318/320/321/323.9	16	10	146	40	363	389	M16	160	11.11	1
2-S-CG-G-W5*-350-363	350	363	353/354/355/355.6/356/358/360/362	16	10	146	40	401	427	M16	160	12.20	1

*Article Nr.: E for EPDM, N for NBR and V for Viton.

UNI-COMBIGRIP SE Ø 72 - 172 MM | PN10/6

Steel materials Components	W5 (standard)	W4 (on request)	W2 (on request)	
Casing	1.4571 / 316 Ti	1.4301 / 304	1.4016 / 301	
Bolts	A4-80 / 316 Ti	A4-80 / 316 Ti	A4-80 / 316 Ti	
Bars	1.4571 / 316 Ti	1.4301 / 304	1.0760 / 1141	
Anchoring rings	1.4404 / 316 L & 1.4310 / 301	1.4404 / 316 L & 1.4310 / 301	1.4404 / 316 L & 1.4310 / 301	
Strip Insert (Optional)	1.4571 (316 Ti)	1.4571 (316 Ti)	1.4571 (316 Ti)	

Sealing Sleeve Application	EPDM	NBR	Viton (on request)	Silicone (on request)
Temperature range	-30°C up to +125°C	-20°C up to +80°C	-20°C up to +180°C	
Medium	all qualities of water, waste water, air, solids and chemical products	water, gas, oil, fuel and other hydrocarbons	ozone, oxygen, acids, gas, oil and fuel (only with strip insert)	

Important remarks:

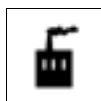
- + Follow fitting/disassembly instructions
- + The pressure values are valid for radial rigid carbon steel pipes with a minimal wall thickness under static loads
- + For metric to imperial conversion table see page 28
- + Strip inserts are required for special applications
- + Free from paint wetting disruptive substances

Use insert stiffeners for installation on PE, PVC, PP or PB pipes! (page 116 & 117)



Technical details are subject to change. Typing errors may occur.

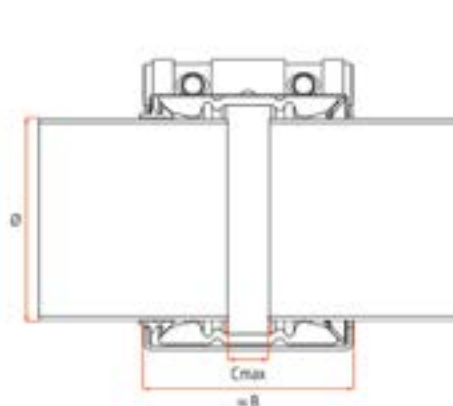
Pressure indication:



= Working pressure for industrial and land-based applications with 1.5x safety factor in bars



= Working pressure for marine applications with 4x safety factor in bars





Article Nr.	OD Ø min.	OD Ø max.	OD Ø Nominal	Pressure		Coupling dimensions not fitted				Torque rate (Nm)	Weight ≈ kg/pcs.	Packing quantity	
				PN	PN	≈ B	Cmax	≈ d	≈ H				M
1-SE-CG-W5*-72-80	72	80	73/75/76.1/79.5	10	6	95	30	108	164	M10	40	1.00	10
1-SE-CG-W5*-88-96	88	96	88.9/90	10	6	95	30	124	170	M10	40	1.00	10
1-SE-CG-W5*-104-112	104	112	104.8/108/110	10	6	95	30	141	187	M10	40	1.10	10
1-SE-CG-W5*-108-115	108	115	108/110/114.3	10	6	95	30	141	187	M10	40	1.20	10
1-SE-CG-W5*-122-130	122	130	125/127/129	10	6	95	30	158	202	M10	40	1.20	10
1-SE-CG-W5*-137-145	137	145	139.7/140/141.3/141.6	10	6	110	40	186	238	M12	65	2.20	5
1-SE-CG-W5*-157-165	157	165	159/160	10	6	110	40	205	255	M12	65	2.30	5
1-SE-CG-W5*-164-172	164	172	165/168.3	10	6	110	40	212	262	M12	65	2.40	5

*Article Nr.: E for EPDM and N for NBR.

UNI-COMBIGRIP S Ø 172 - 515 MM | PN10/6

Steel materials Components	W5 (standard)	W4 (on request)	W2 (on request)	
Casing	1.4571 / 316 Ti	1.4301 / 304	1.4016 / 301	
Bolts	A4-80 / 316 Ti	A4-80 / 316 Ti	A4-80 / 316 Ti	
Bars	1.4571 / 316 Ti	1.4301 / 304	1.0760 / 1141	
Anchoring rings	1.4404 / 316 L & 1.4310 / 301	1.4404 / 316 L & 1.4310 / 301	1.4404 / 316 L & 1.4310 / 301	
Strip Insert (Optional)	1.4571 (316 Ti)	1.4571 (316 Ti)	1.4571 (316 Ti)	

Sealing Sleeve Application	EPDM	NBR	Viton	Silicone (on request)
Temperature range	-30°C up to +125°C	-20°C up to +80°C	-20°C up to +180°C	
Medium	all qualities of water, waste water, air, solids and chemical products	water, gas, oil, fuel and other hydrocarbons	ozone, oxygen, acids, gas, oil and fuel (only with strip insert)	

Important remarks:

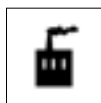
- + Follow fitting/disassembly instructions
- + The pressure values are valid for radial rigid carbon steel pipes with a minimal wall thickness under static loads
- + For metric to imperial conversion table see page 28
- + Strip inserts are required for special applications
- + Free from paint wetting disruptive substances
- + Article Nr. S2 = 2 pieces

Use insert stiffeners for installation on PE, PVC, PP or PB pipes! (page 116 & 117)



Technical details are subject to change. Typing errors may occur.

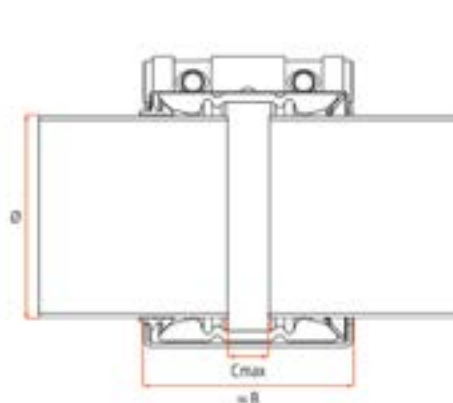
Pressure indication:



= Working pressure for industrial and land-based applications with 1.5x safety factor in bars



= Working pressure for marine applications with 4x safety factor in bars





Article Nr.	OD Ø min.	OD Ø max.	OD Ø Nominal	Pressure		Coupling dimensions not fitted				Torque rate (Nm)	Weight ≈ kg/pcs.	Packing quantity	
				PN	PN	≈ B	Cmax	≈ d	≈ H				M
2-S-CG-B-W5*-172-185	172	185	180	10	6	140	40	223	249	M16	160	4.98	1
2-S-CG-B-W5*-195-208	195	208	200/202/203/204/205/206/208	10	6	140	40	246	272	M16	160	5.44	1
2-S-CG-B-W5*-215-228	215	228	219.1/220/222/224/225/226/228	10	6	140	40	266	292	M16	160	5.84	1
2-S-CG-B-W5*-247-260	247	260	250/252/254/255/256/257/259	10	6	140	40	298	324	M16	160	6.48	1
2-S-CG-B-W5*-269-282	269	282	272/273.1/274/275/278/280	10	6	140	40	320	346	M16	160	6.92	1
2-S-CG-C-W5*-312-325	312	325	315/316/318/320/321/323.9	10	6	142	40	363	389	M16	160	8.64	1
2-S-CG-C-W5*-350-363	350	363	353/354/355/355.6/356/358/360/362	10	6	142	40	401	427	M16	160	9.49	1
2-S-CG-G-W5*-395-408	395	408	398/399/400/403/404/405/406/406.4/408	10	6	146	40	446	472	M16	160	13.49	1
2-S2-CG-G-W5*-447-460	447	460	448/450/452/453/454/456/457.2/459/460	10	6	146	40	498	524	M16	160	17.47	1
2-S2-CG-G-W5*-502-515	502	515	504/506/507/508/510/512/514/515	10	6	146	40	553	579	M16	160	19.30	1

*Article Nr.: E for EPDM. N for NBR and V for Viton.

UNI-COMBIGRIP S Ø 312 - 640 MM | PN6/2.5

Steel materials Components	W5 (standard)	W4 (on request)	W2 (on request)	
Casing	1.4571 / 316 Ti	1.4301 / 304	1.4016 / 301	
Bolts	A4-80 / 316 Ti	A4-80 / 316 Ti	A4-80 / 316 Ti	
Bars	1.4571 / 316 Ti	1.4301 / 304	1.0760 / 1141	
Anchoring rings	1.4404 / 316 L & 1.4310 / 301	1.4404 / 316 L & 1.4310 / 301	1.4404 / 316 L & 1.4310 / 301	
Strip Insert (Optional)	1.4571 (316 Ti)	1.4571 (316 Ti)	1.4571 (316 Ti)	

Sealing Sleeve Application	EPDM	NBR	Viton	Silicone (on request)
Temperature range	-30°C up to +125°C	-20°C up to +80°C	-20°C up to +180°C	
Medium	all qualities of water, waste water, air, solids and chemical products	water, gas, oil, fuel and other hydrocarbons	ozone, oxygen, acids, gas, oil and fuel (only with strip insert)	

Important remarks:

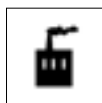
- + Follow fitting/disassembly instructions
- + The pressure values are valid for radial rigid carbon steel pipes with a minimal wall thickness under static loads
- + For metric to imperial conversion table see page 28
- + Strip inserts are required for special applications
- + Free from paint wetting disruptive substances
- + Article Nr. S2 = 2 pieces, S3 = 3 pieces, S4 = 4 pieces

Use insert stiffeners for installation on PE, PVC, PP or PB pipes! (page 116 & 117)



Technical details are subject to change. Typing errors may occur.

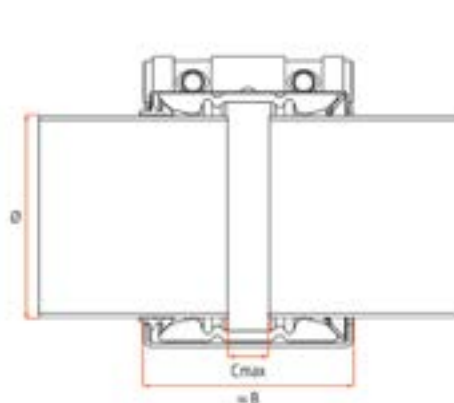
Pressure indication:



= Working pressure for industrial and land-based applications with 1.5x safety factor in bars



= Working pressure for marine applications with 4x safety factor in bars





Article Nr.	OD Ø min.	OD Ø max.	OD Ø Nominal	Pressure		Coupling dimensions not fitted				Torque rate (Nm)	Weight ≈ kg/pcs.	Packing quantity	
				PN	PN	≈ B	Cmax	≈ d	≈ H				M
2-S-CG-B-W5*-312-325	312	325	315/316/318/320/321/323.9	6	2.5	140	40	363	389	M16	160	7.78	1
2-S-CG-B-W5*-350-363	350	363	353/354/355/355.6/356/358/360/362	6	2.5	140	40	401	427	M16	160	8.54	1
2-S-CG-C-W5*-395-408	395	408	398/399/400/403/404/405/406/406.4/408	6	2.5	142	40	446	472	M16	160	10.49	1
2-S2-CG-C-W5*-447-460	447	460	448/450/452/453/454/456/457.2/459/460	6	2.5	142	40	498	524	M16	160	13.10	1
2-S2-CG-C-W5*-502-515	502	515	504/506/507/508/510/512/514/515	6	2.5	142	40	553	579	M16	160	14.48	1
2-S3-CG-G-W5*-557-570	557	570	558/559/560/564/568	6	2.5	146	40	608	634	M16	160	21.13	1
2-S4-CG-G-W5*-627-640	627	640	630/632/633/634/635/640	6	2.5	146	40	678	704	M16	160	23.47	1

*Article Nr.: E for EPDM. N for NBR and V for Viton.

UNI-FLEX S Ø 19 - 172 MM | PN25/16

Steel materials Components	W5 (standard)	W4 (on request)	W2 (on request)	
Casing	1.4571 / 316 Ti	1.4301 / 304	1.4016 / 301	
Bolts	A4-80 / 316 Ti	A4-80 / 316 Ti	A4-80 / 316 Ti	
Bars	1.4571 / 316 Ti	1.4301 / 304	1.0760 / 1141	
Strip Insert (Optional)	1.4571 (316 Ti)	1.4571 (316 Ti)	1.4571 (316 Ti)	

Sealing Sleeve Application	EPDM	NBR	Viton (on request)	Silicone (on request)
Temperature range	-30°C up to +125°C	-20°C up to +80°C	-20°C up to +180°C	
Medium	all qualities of water, waste water, air, solids and chemical products	water, gas, oil, fuel and other hydrocarbons	ozone, oxygen, acids, gas, oil and fuel (only with strip insert)	

Important remarks:

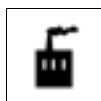
- + Follow fitting/disassembly instructions
- + The pressure values are valid for radial rigid carbon steel pipes with a minimal wall thickness under static loads
- + For metric to imperial conversion table see page 28
- + Strip inserts are required for special applications
- + Free from paint wetting disruptive substances

Use insert stiffeners for installation on PE, PVC, PP or PB pipes! (page 116 & 117)



Technical details are subject to change. Typing errors may occur.

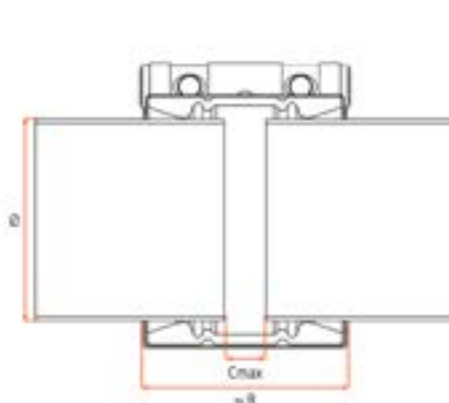
Pressure indication:



= Working pressure for industrial and land-based applications with 1.5x safety factor in bars



= Working pressure for marine applications with 4x safety factor in bars





Article Nr.	OD Ø min.	OD Ø max.	OD Ø Nominal	Pressure		Coupling dimensions not fitted					Torque rate (Nm)	Weight ≈ kg/pcs.	Packing quantity
				PN	PN	≈ B	Cmax	≈ d	≈ H	M			
1-S-F-W5-*-19-21	19	21	20	25	16	45	10	42	69	M6	3	0.20	10
1-S-F-W5-*-21-24	21	24	21.3/21.6	25	16	45	10	46	76	M6	3	0.20	10
1-S-F-W5-*-25-29	25	29	26.9/28	25	16	45	10	46	76	M6	3	0.20	10
1-S-F-W5-*-29-32	29	32	30	25	16	45	10	54	84	M6	3	0.20	10
1-S-F-W5-*-33-36	33	36	33.7/35	25	16	45	10	54	84	M6	3	0.20	10
1-S-F-W5-*-36-39	36	39	38	25	16	60	15	66	104	M8	5	0.40	10
1-S-F-W5-*-39-43	39	43	42.4	25	16	60	15	66	104	M8	5	0.40	10
1-S-F-W5-*-43-47,5	43	47.5	44.5	25	16	60	15	74	112	M8	5	0.40	10
1-S-F-W5-*-47,5-52,5	47.5	52.5	48.3	25	16	60	15	74	112	M8	5	0.40	10
1-S-F-W5-*-52,5-58	52.5	58	54/57	25	16	75	25	85	125	M8	5	0.60	10
1-S-F-W5-*-58-64	58	64	60.3/63	25	16	75	25	85	125	M8	5	0.60	10
1-S-F-W5-*-64-72	64	72	66.6/68/69/70	25	16	95	30	108	164	M10	10	1.00	10
1-S-F-W5-*-72-80	72	80	73/76.1/79.5	25	16	95	30	108	164	M10	10	1.00	10
1-S-F-W5-*-80-88	80	88	84	25	16	95	30	124	170	M10	10	1.00	10
1-S-F-W5-*-88-96	88	96	88.9	25	16	95	30	124	170	M10	10	1.00	10
1-S-F-W5-*-97-105	97	105	98/100.6/101.6/104	25	16	95	30	141	187	M10	10	1.10	10
1-S-F-W5-*-104-112	104	112	104.8/108/110	25	16	95	30	141	187	M10	10	1.10	10
1-S-F-W5-*-112-120	112	120	114.3/118	25	16	95	30	158	202	M10	12.5	1.20	10
1-S-F-W5-*-122-130	122	130	125/127/129	25	16	95	30	158	202	M10	12.5	1.20	10
1-S-F-W5-*-129-137	129	137	130.2/131/133	25	16	110	40	178	230	M12	20	2.10	5
1-S-F-W5-*-137-145	137	145	139.7/141.3/141.6	25	16	110	40	186	238	M12	25	2.20	5
1-S-F-W5-*-149-157	149	157	154/155	25	16	110	40	197	249	M12	30	2.30	5
1-S-F-W5-*-157-165	157	165	159	25	16	110	40	205	255	M12	30	2.30	5
1-S-F-W5-*-164-172	164	172	165/168.3	25	16	110	40	212	262	M12	30	2.40	5

*Article Nr.: E for EPDM and N for NBR.

UNI-FLEX S Ø 185 - 745 MM | PN25/16

Steel materials Components	W5 (standard)	W4 (on request)	W2 (on request)	
Casing	1.4571 / 316 Ti	1.4301 / 304	1.4016 / 301	
Bolts	A4-80 / 316 Ti	A4-80 / 316 Ti	A4-80 / 316 Ti	
Bars	1.4571 / 316 Ti	1.4301 / 304	1.0760 / 1141	
Strip Insert (Optional)	1.4571 (316 Ti)	1.4571 (316 Ti)	1.4571 (316 Ti)	

Sealing Sleeve Application	EPDM	NBR	Viton	Silicone (on request)
Temperature range	-30°C up to +125°C	-20°C up to +80°C	-20°C up to +180°C	
Medium	all qualities of water, waste water, air, solids and chemical products	water, gas, oil, fuel and other hydrocarbons	ozone, oxygen, acids, gas, oil and fuel (only with strip insert)	

Important remarks:

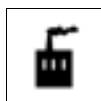
- + Follow fitting/disassembly instructions
- + The pressure values are valid for radial rigid carbon steel pipes with a minimal wall thickness under static loads
- + For metric to imperial conversion table see page 28
- + Strip inserts are required for special applications
- + Free from paint wetting disruptive substances

Use insert stiffeners for installation on PE, PVC, PP or PB pipes! (page 116 & 117)



Technical details are subject to change. Typing errors may occur.

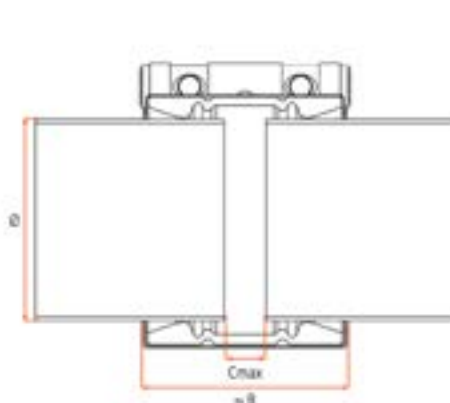
Pressure indication:



= Working pressure for industrial and land-based applications with 1.5x safety factor in bars



= Working pressure for marine applications with 4x safety factor in bars





Article Nr.	OD Ø min.	OD Ø max.	OD Ø Nominal	Pressure		Coupling dimensions not fitted					Torque rate (Nm)	Weight ≈ kg/pcs.	Packing quantity
				PN	PN	≈ B	Cmax	≈ d	≈ H	M			
2-S-F-B-W5*-185-198	185	198	185/187/190/191/193,7/195/196/197	25	16	140	40	236	262	M12	30	5.04	1
2-S-F-B-W5*-198-211	198	211	200/202/203/204/205/206/208/210	25	16	140	40	249	275	M12	30	5.19	1
2-S-F-B-W5*-210-223	210	223	211/212/215/216/217/219,1/220/222	25	16	140	40	261	287	M12	30	5.34	1
2-S-F-B-W5*-221-234	221	234	224/225/226/228/229/230/232/234	25	16	140	40	272	298	M12	30	5.47	1
2-S-F-B-W5*-234-247	234	247	236/238/240/241/242/244/244,5/246	25	16	140	40	285	311	M12	30	5.63	1
2-S-F-B-W5*-247-260	247	260	248/249/250/252/254/255/256/257/259	25	16	140	40	298	324	M12	30	5.79	1
2-S-F-B-W5*-263-276	263	276	264/268/267/271/272/273,1/274/275	25	16	140	40	314	340	M12	30	5.98	1
2-S-F-C-W5*-277-290	277	290	278/280/284/286/287/288/289	25	16	142	40	328	354	M16	30	7.58	1
2-S-F-C-W5*-288-301	288	301	290/292/295/296/298/300	25	16	142	40	339	365	M16	30	7.76	1
2-S-F-C-W5*-301-314	301	314	304/305/306/308/310/311/313	25	16	142	40	352	378	M16	30	7.97	1
2-S-F-C-W5*-315-328	315	328	315/316/318/320/321/323,9/326/327	25	16	142	40	366	392	M16	30	8.19	1
2-S-F-C-W5*-327-340	327	340	330/333,8/334/336/337/339	25	16	142	40	378	404	M16	50	8.39	1
2-S-F-C-W5*-340-353	340	353	340/342/343/345/346/348/350/352	25	16	142	40	391	417	M16	50	8.60	1
2-S-F-C-W5*-350-363	350	363	352/353/354/355/355,6/356/358/360/362	25	16	142	40	401	427	M16	50	8.76	1
2-S-F-G-W5*-361-374	361	374	367/368/372	25	16	146	40	412	438	M16	50	12.61	1
2-S-F-G-W5*-374-387	374	387	376/378/380/382/384/385/386	25	16	146	40	425	451	M16	50	12.94	1
2-S-F-G-W5*-387-400	387	400	388/392/394/395/396/398/399	25	16	146	40	438	464	M16	50	13.26	1
2-S-F-G-W5*-400-413	400	413	400/403/404/405/406/406,4/408/410/412	25	16	146	40	451	477	M16	50	13.59	1
2-S-F-G-W5*-412-425	412	425	419/420/421	25	16	146	40	463	489	M16	50	13.89	1
2-S-F-G-W5*-422-435	422	435	426/427/428/429/430/432/433/434	25	16	146	40	473	499	M16	50	14.14	1
2-S-F-G-W5*-438-451	438	451	439/440/441/442/444/448/450	25	16	146	40	489	515	M16	50	14.54	1
2-S-F-G-W5*-451-464	451	464	452/453/454/456/457,2/459/460/463	25	16	146	40	502	528	M16	50	14.87	1
2-S-F-G-W5*-460-473	460	473	464/468/470	25	16	146	40	511	537	M16	50	15.09	1
2-S-F-G-W5*-476-489	476	489	478/480/486/488	25	16	146	40	527	553	M16	50	15.49	1
2-S-F-G-W5*-488-501	488	501	490/492/494/496/498/500	25	16	146	40	539	565	M16	50	15.80	1
2-S-F-G-W5*-503-516	503	516	504/506/507/508/510/512/514/515	25	16	146	40	554	580	M16	50	16.17	1
2-S-F-G-W5*-520-533	520	533	520/521/524/526/530/532	25	16	146	40	575	603	M16	60	16.60	1
2-S-F-G-W5*-531-544	531	544	537/538/540/542/543	25	16	146	40	586	614	M16	60	16.87	1
2-S-F-G-W5*-546-559	546	559	546/548/549/550/558	25	16	146	40	601	629	M16	60	17.25	1
2-S-F-G-W5*-557-570	557	570	559/560/564/568	25	16	146	40	612	640	M16	60	17.53	1
2-S-F-G-W5*-571-584	571	584	571/572/574/576/582/583	25	16	146	40	626	654	M16	60	17.88	1
2-S-F-G-W5*-600-613	600	613	600/605/606/609,6/610/612	25	16	146	40	655	683	M16	60	18.60	1
2-S-F-G-W5*-610-623	610	623	613,7/620/622	25	16	146	40	665	693	M16	70	18.85	1
2-S-F-G-W5*-628-641	628	641	630/632/633/634/635/640	25	16	146	40	683	711	M16	70	19.31	1
2-S-F-G-W5*-648-661	648	661	650/651/654/655/658/659/660	25	16	146	40	703	731	M16	70	19.81	1
2-S-F-G-W5*-676-689	676	689	676/677/678/680/686/688	25	16	146	40	731	759	M16	70	20.51	1
2-S-F-G-W5*-688-701	688	701	690/691/698/700	25	16	146	40	743	771	M16	70	20.81	1
2-S-F-G-W5*-700-713	700	713	702,6/705/710/711,2	25	16	146	40	755	783	M16	70	21.11	1
2-S-F-G-W5*-717-730	717	730	718/720/726/729	25	16	146	40	772	800	M16	70	21.54	1
2-S-F-G-W5*-732-745	732	745	734/735/738/743/744	25	16	146	40	787	815	M16	70	21.91	1

*Article Nr.: E for EPDM, N for NBR and V for Viton.

UNI-FLEX S Ø 756 - 930 MM | PN25/16

Steel materials Components	W5 (standard)	W4 (on request)	W2 (on request)	
Casing	1.4571 / 316 Ti	1.4301 / 304	1.4016 / 301	
Bolts	A4-80 / 316 Ti	A4-80 / 316 Ti	A4-80 / 316 Ti	
Bars	1.4571 / 316 Ti	1.4301 / 304	1.0760 / 1141	
Strip Insert (Optional)	1.4571 (316 Ti)	1.4571 (316 Ti)	1.4571 (316 Ti)	

Sealing Sleeve Application	EPDM	NBR	Viton	Silicone (on request)
Temperature range	-30°C up to +125°C	-20°C up to +80°C	-20°C up to +180°C	
Medium	all qualities of water, waste water, air, solids and chemical products	water, gas, oil, fuel and other hydrocarbons	ozone, oxygen, acids, gas, oil and fuel (only with strip insert)	

Important remarks:

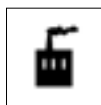
- + Follow fitting/disassembly instructions
- + The pressure values are valid for radial rigid carbon steel pipes with a minimal wall thickness under static loads
- + For metric to imperial conversion table see page 28
- + Strip inserts are required for special applications
- + Free from paint wetting disruptive substances
- + Article Nr. S2 = 2 pieces

Use insert stiffeners for installation on PE, PVC, PP or PB pipes! (page 116 & 117)



Technical details are subject to change. Typing errors may occur.

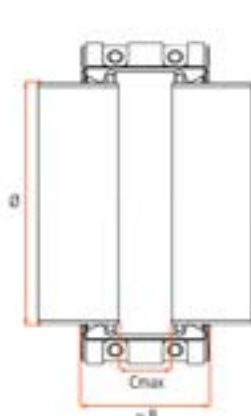
Pressure indication:



= Working pressure for industrial and land-based applications with 1.5x safety factor in bars



= Working pressure for marine applications with 4x safety factor in bars





Article Nr.	OD Ø min.	OD Ø max.	OD Ø Nominal	Pressure		Coupling dimensions not fitted					Torque rate (Nm)	Weight ≈ kg/pcs.	Packing quantity
				PN	PN	≈ B	Cmax	≈ d	≈ H	M			
2-S2-F-G-W5-*-756-782	756	782	760/761/762/768/769/770/773/780	25	16	146	40	824	852	M16	70	26.08	1
2-S2-F-G-W5-*-782-808	782	808	784/786/790/798/800/801/806	25	16	146	40	850	878	M16	70	26.73	1
2-S2-F-G-W5-*-806-832	806	832	807,2/808/812,8/820/822/824/826/830	25	16	146	40	874	902	M16	70	27.33	1
2-S2-F-G-W5-*-828-854	828	854	832/840/842/848/852	25	16	146	40	896	924	M16	80	27.88	1
2-S2-F-G-W5-*-856-882	856	882	859,5/864/868/869/879/880	25	16	146	40	924	952	M16	80	28.58	1
2-S2-F-G-W5-*-882-908	882	908	886/891/896/900/903/905,8	25	16	146	40	950	978	M16	80	29.23	1
2-S2-F-G-W5-*-904-930	904	930	912,4/914,4/915/920/924/927/928	25	16	146	40	972	1000	M16	80	29.79	1

*Article Nr.: E for EPDM, N for NBR and V for Viton.

UNI-FLEX S Ø 185 - 745 MM | PN16/10

Steel materials Components	W5 (standard)	W4 (on request)	W2 (on request)	
Casing	1.4571 / 316 Ti	1.4301 / 304	1.4016 / 301	
Bolts	A4-80 / 316 Ti	A4-80 / 316 Ti	A4-80 / 316 Ti	
Bars	1.4571 / 316 Ti	1.4301 / 304	1.0760 / 1141	
Strip Insert (Optional)	1.4571 (316 Ti)	1.4571 (316 Ti)	1.4571 (316 Ti)	

Sealing Sleeve Application	EPDM	NBR	Viton	Silicone (on request)
Temperature range	-30°C up to +125°C	-20°C up to +80°C	-20°C up to +180°C	
Medium	all qualities of water, waste water, air, solids and chemical products	water, gas, oil, fuel and other hydrocarbons	ozone, oxygen, acids, gas, oil and fuel (only with strip insert)	

Important remarks:

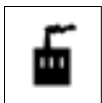
- + Follow fitting/disassembly instructions
- + The pressure values are valid for radial rigid carbon steel pipes with a minimal wall thickness under static loads
- + For metric to imperial conversion table see page 28
- + Strip inserts are required for special applications
- + Free from paint wetting disruptive substances

Use insert stiffeners for installation on PE, PVC, PP or PB pipes! (page 116 & 117)



Technical details are subject to change. Typing errors may occur.

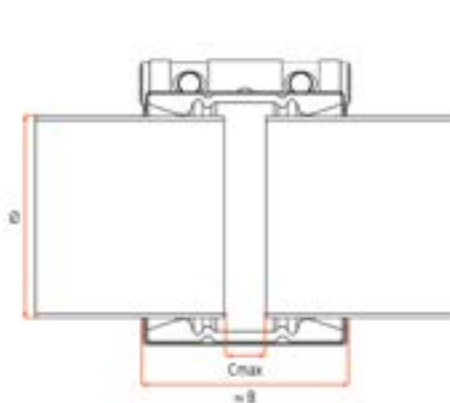
Pressure indication:



= Working pressure for industrial and land-based applications with 1.5x safety factor in bars



= Working pressure for marine applications with 4x safety factor in bars





Article Nr.	OD Ø min.	OD Ø max.	OD Ø Nominal	Pressure		Coupling dimensions not fitted					Torque rate (Nm)	Weight ≈ kg/pcs.	Packing quantity
				PN	PN	≈ B	Cmax	≈ d	≈ H	M			
2-S-F-A-W5*-185-198	185	198	185/187/190/191/193,7/195/196/197	16	10	138	40	236	262	M12	30	3.95	1
2-S-F-A-W5*-198-211	198	211	200/202/203/204/205/206/208/210	16	10	138	40	249	275	M12	30	4.05	1
2-S-F-A-W5*-210-223	210	223	211/212/215/216/217/219,1/220/222	16	10	138	40	261	287	M12	30	4.14	1
2-S-F-A-W5*-221-234	221	234	224/225/226/228/229/230/232/234	16	10	138	40	272	298	M12	30	4.23	1
2-S-F-A-W5*-234-247	234	247	236/238/240/241/242/244/244,5/246	16	10	138	40	285	311	M12	30	4.33	1
2-S-F-A-W5*-247-260	247	260	248/249/250/252/254/255/256/257/259	16	10	138	40	298	324	M12	30	4.44	1
2-S-F-A-W5*-263-276	263	276	264/268/267/271/272/273,1/274/275	16	10	138	40	314	340	M12	30	4.56	1
2-S-F-B-W5*-277-290	277	290	278/280/284/286/287/288/289	16	10	140	40	328	354	M12	30	6.15	1
2-S-F-B-W5*-288-301	288	301	290/292/295/296/298/300	16	10	140	40	339	365	M12	30	6.28	1
2-S-F-B-W5*-301-314	301	314	304/305/306/308/310/311/313	16	10	140	40	352	378	M12	30	6.44	1
2-S-F-B-W5*-315-328	315	328	315/316/318/320/321/323,9/326/327	16	10	140	40	366	392	M12	30	6.61	1
2-S-F-B-W5*-327-340	327	340	330/333,8/334/336/337/339	16	10	140	40	378	404	M12	40	6.75	1
2-S-F-B-W5*-340-353	340	353	340/342/343/345/346/348/350/352	16	10	140	40	391	417	M12	40	6.91	1
2-S-F-B-W5*-350-363	350	363	352/353/354/355/355,6/356/358/360/362	16	10	140	40	401	427	M12	40	7.03	1
2-S-F-C-W5*-361-374	361	374	367/368/372	16	10	142	40	412	438	M12	40	8.93	1
2-S-F-C-W5*-374-387	374	387	376/378/380/382/384/385/386	16	10	142	40	425	451	M12	40	9.14	1
2-S-F-C-W5*-387-400	387	400	388/392/394/395/396/398/399	16	10	142	40	438	464	M12	40	9.35	1
2-S-F-C-W5*-400-413	400	413	400/403/404/405/406/406,4/408/410/412	16	10	142	40	451	477	M12	40	9.56	1
2-S-F-C-W5*-412-425	412	425	419/420/421	16	10	142	40	463	489	M12	40	9.75	1
2-S-F-C-W5*-422-435	422	435	426/427/428/429/430/432/433/434	16	10	142	40	473	499	M12	40	9.91	1
2-S-F-C-W5*-438-451	438	451	439/440/441/442/444/448/450	16	10	142	40	489	515	M12	40	10.17	1
2-S-F-C-W5*-451-464	451	464	452/453/454/456/457,2/459/460/463	16	10	142	40	502	528	M12	40	10.38	1
2-S-F-C-W5*-460-473	460	473	464/468/470	16	10	142	40	511	537	M12	40	10.53	1
2-S-F-C-W5*-476-489	476	489	478/480/486/488	16	10	142	40	527	553	M12	40	10.78	1
2-S-F-C-W5*-488-501	488	501	490/492/494/496/498/500	16	10	142	40	539	565	M12	40	10.98	1
2-S-F-C-W5*-503-516	503	516	504/506/507/508/510/512/514/515	16	10	142	40	554	580	M12	40	11.22	1
2-S-F-C-W5*-520-533	520	533	520/521/524/526/530/532	16	10	142	40	575	603	M16	50	11.49	1
2-S-F-C-W5*-531-544	531	544	537/538/540/542/543	16	10	142	40	586	614	M16	50	11.67	1
2-S-F-C-W5*-546-559	546	559	546/548/549/550/558	16	10	142	40	601	629	M16	50	11.91	1
2-S-F-C-W5*-557-570	557	570	559/560/564/568	16	10	142	40	612	640	M16	50	12.09	1
2-S-F-C-W5*-571-584	571	584	571/572/574/576/582/583	16	10	142	40	626	654	M16	50	12.31	1
2-S-F-C-W5*-600-613	600	613	600/605/606/609,6/610/612	16	10	142	40	655	683	M16	50	12.78	1
2-S-F-C-W5*-610-623	610	623	613,7/620/622	16	10	142	40	665	693	M16	60	12.94	1
2-S-F-C-W5*-628-641	628	641	630/632/633/634/635/640	16	10	142	40	683	711	M16	60	13.23	1
2-S-F-C-W5*-648-661	648	661	650/651/654/655/658/659/660	16	10	142	40	703	731	M16	60	13.55	1
2-S-F-C-W5*-676-689	676	689	676/677/678/680/686/688	16	10	142	40	731	759	M16	60	14.00	1
2-S-F-C-W5*-688-701	688	701	690/691/698/700	16	10	142	40	743	771	M16	60	14.19	1
2-S-F-C-W5*-700-713	700	713	702,6/705/710/711,2	16	10	142	40	755	783	M16	60	14.39	1
2-S-F-C-W5*-717-730	717	730	718/720/726/729	16	10	142	40	772	800	M16	60	14.66	1
2-S-F-C-W5*-732-745	732	745	734/735/738/743/744	16	10	142	40	787	815	M16	60	14.90	1

*Article Nr.: E for EPDM, N for NBR and V for Viton.

UNI-FLEX S Ø 756 - 1452 MM | PN16/10

Steel materials Components	W5 (standard)	W4 (on request)	W2 (on request)	
Casing	1.4571 / 316 Ti	1.4301 / 304	1.4016 / 301	
Bolts	A4-80 / 316 Ti	A4-80 / 316 Ti	A4-80 / 316 Ti	
Bars	1.4571 / 316 Ti	1.4301 / 304	1.0760 / 1141	
Strip Insert (Optional)	1.4571 (316 Ti)	1.4571 (316 Ti)	1.4571 (316 Ti)	

Sealing Sleeve Application	EPDM	NBR	Viton	Silicone (on request)
Temperature range	-30°C up to +125°C	-20°C up to +80°C	-20°C up to +180°C	
Medium	all qualities of water, waste water, air, solids and chemical products	water, gas, oil, fuel and other hydrocarbons	ozone, oxygen, acids, gas, oil and fuel (only with strip insert)	

Important remarks:

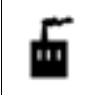

- + Follow fitting/disassembly instructions
- + The pressure values are valid for radial rigid carbon steel pipes with a minimal wall thickness under static loads
- + For metric to imperial conversion table see page 28
- + Strip inserts are required for special applications
- + Free from paint wetting disruptive substances
- + Article Nr. S2 = 2 pieces, S3 = 3 pieces

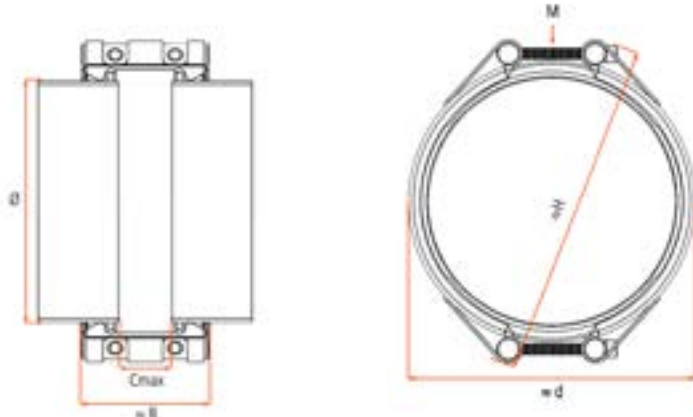
Use insert stiffeners for installation on PE, PVC, PP or PB pipes! (page 116 & 117)



Technical details are subject to change. Typing errors may occur.

Pressure indication:

-  = Working pressure for industrial and land-based applications with 1.5x safety factor in bars
-  = Working pressure for marine applications with 4x safety factor in bars





Article Nr.	OD Ø min.	OD Ø max.	OD Ø Nominal	Pressure		Coupling dimensions not fitted					Torque rate (Nm)	Weight ≈ kg/pcs.	Packing quantity
				PN	PN	≈ B	Cmax	≈ d	≈ H	M			
2-S2-F-C-W5-*-756-782	756	782	760/761/762/768/769/770/773/780	16	10	142	40	824	852	M16	60	18.41	1
2-S2-F-C-W5-*-782-808	782	808	784/786/790/798/800/801/806	16	10	142	40	850	878	M16	60	18.83	1
2-S2-F-C-W5-*-806-832	806	832	807,2/808/812,8/820/822/824/826/830	16	10	142	40	874	902	M16	60	19.22	1
2-S2-F-C-W5-*-828-854	828	854	832/840/842/848/852	16	10	142	40	896	924	M16	60	19.57	1
2-S2-F-C-W5-*-856-882	856	882	859,5/864/868/869/879/880	16	10	142	40	924	952	M16	60	20.02	1
2-S2-F-C-W5-*-882-908	882	908	886/891/896/900/903/905,8	16	10	142	40	950	978	M16	60	20.44	1
2-S2-F-C-W5-*-904-930	904	930	912,4/914,4/915/920/924/927/928	16	10	142	40	972	1000	M16	60	20.79	1
2-S2-F-G-W5-*-936-962	936	962	940/945/950/951/952/956/960	16	10	146	40	1004	1032	M16	60	30.59	1
2-S2-F-G-W5-*-961-987	961	987	964,2/965/970/977/978/984,5	16	10	146	40	1029	1057	M16	60	31.21	1
2-S2-F-G-W5-*-984-1010	984	1010	989/990/992/996/1000/1008	16	10	146	40	1052	1080	M16	60	31.79	1
2-S2-F-G-W5-*-1004-1030	1004	1030	1015/1016/1020/1024/1027	16	10	146	40	1072	1100	M16	60	32.29	1
2-S2-F-G-W5-*-1044-1070	1044	1070	1044/1048/1054/1057/1068,3	16	10	146	40	1116	1146	M16	80	33.30	1
2-S2-F-G-W5-*-1076-1102	1076	1102	1080/1086/1090,2/1100	16	10	146	40	1148	1178	M16	80	34.10	1
2-S2-F-G-W5-*-1104-1130	1104	1130	1118/1120,6/1128	16	10	146	40	1176	1206	M16	80	34.80	1
2-S3-F-G-W5-*-1138-1177	1138	1177	1143/1144/1152/1167/1172,5/1174	16	10	146	40	1223	1253	M16	80	39.21	1
2-S3-F-G-W5-*-1192-1231	1192	1231	1200/1220/1228	16	10	146	40	1277	1307	M16	80	40.57	1
2-S3-F-G-W5-*-1241-1280	1241	1280	1255/1256/1261/1276,6	16	10	146	40	1326	1356	M16	80	41.80	1
2-S3-F-G-W5-*-1331-1370	1331	1370	1358	16	10	146	40	1416	1446	M16	80	44.05	1
2-S3-F-G-W5-*-1413-1452	1413	1452	1420/1422/1449	16	10	146	40	1498	1528	M16	80	46.11	1

*Article Nr.: E for EPDM, N for NBR and V for Viton.

UNI-FLEX S Ø 277 - 745 MM | PN10/6

Steel materials Components	W5 (standard)	W4 (on request)	W2 (on request)	
Casing	1.4571 / 316 Ti	1.4301 / 304	1.4016 / 301	
Bolts	A4-80 / 316 Ti	A4-80 / 316 Ti	A4-80 / 316 Ti	
Bars	1.4571 / 316 Ti	1.4301 / 304	1.0760 / 1141	
Strip Insert (Optional)	1.4571 (316 Ti)	1.4571 (316 Ti)	1.4571 (316 Ti)	

Sealing Sleeve Application	EPDM	NBR	Viton	Silicone (on request)
Temperature range	-30°C up to +125°C	-20°C up to +80°C	-20°C up to +180°C	
Medium	all qualities of water, waste water, air, solids and chemical products	water, gas, oil, fuel and other hydrocarbons	ozone, oxygen, acids, gas, oil and fuel (only with strip insert)	

Important remarks:

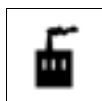
- + Follow fitting/disassembly instructions
- + The pressure values are valid for radial rigid carbon steel pipes with a minimal wall thickness under static loads
- + For metric to imperial conversion table see page 28
- + Strip inserts are required for special applications
- + Free from paint wetting disruptive substances

Use insert stiffeners for installation on PE, PVC, PP or PB pipes! (page 116 & 117)



Technical details are subject to change. Typing errors may occur.

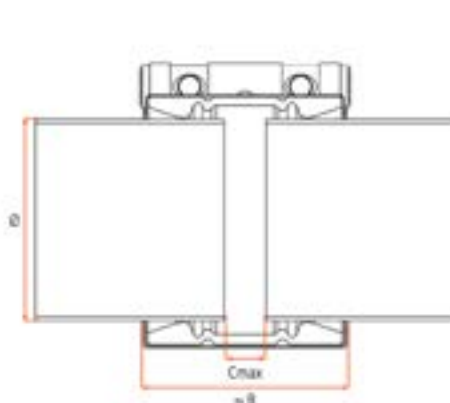
Pressure indication:



= Working pressure for industrial and land-based applications with 1.5x safety factor in bars



= Working pressure for marine applications with 4x safety factor in bars





Article Nr.	OD Ø min.	OD Ø max.	OD Ø Nominal	Pressure		Coupling dimensions not fitted					Torque rate (Nm)	Weight ≈ kg/pcs.	Packing quantity
				PN	PN	≈ B	Cmax	≈ d	≈ H	M			
2-S-F-A-W5*-277-290	277	290	278/280/284/286/287/288/289	10	6	138	40	328	354	M12	30	4.67	1
2-S-F-A-W5*-288-301	288	301	290/292/295/296/298/300	10	6	138	40	339	365	M12	30	4.76	1
2-S-F-A-W5*-301-314	301	314	304/305/306/308/310/311/313	10	6	138	40	352	378	M12	30	4.86	1
2-S-F-A-W5*-315-328	315	328	315/316/318/320/321/323,9/326/327	10	6	138	40	366	392	M12	30	4.97	1
2-S-F-A-W5*-327-340	327	340	330/333,8/334/336/337/339	10	6	138	40	378	404	M12	40	5.07	1
2-S-F-A-W5*-340-353	340	353	340/342/343/345/346/348/350/352	10	6	138	40	391	417	M12	40	5.17	1
2-S-F-A-W5*-350-363	350	363	352/353/354/355/355,6/356/358/360/362	10	6	138	40	401	427	M12	40	5.25	1
2-S-F-A-W5*-361-374	361	374	367/368/372	10	6	138	40	412	438	M12	40	5.34	1
2-S-F-A-W5*-374-387	374	387	376/378/380/382/384/385/386	10	6	138	40	425	451	M12	40	5.44	1
2-S-F-A-W5*-387-400	387	400	388/392/394/395/396/398/399	10	6	138	40	438	464	M12	40	5.54	1
2-S-F-A-W5*-400-413	400	413	400/403/404/405/406/406,4/408/410/412	10	6	138	40	451	477	M12	40	5.64	1
2-S-F-A-W5*-412-425	412	425	419/420/421	10	6	138	40	463	489	M12	40	5.74	1
2-S-F-A-W5*-422-435	422	435	426/427/428/429/430/432/433/434	10	6	138	40	473	499	M12	40	5.82	1
2-S-F-A-W5*-438-451	438	451	439/440/441/442/444/448/450	10	6	138	40	489	515	M12	40	5.94	1
2-S-F-A-W5*-451-464	451	464	452/453/454/456/457,2/459/460/463	10	6	138	40	502	528	M12	40	6.05	1
2-S-F-A-W5*-460-473	460	473	464/468/470	10	6	138	40	511	537	M12	40	6.12	1
2-S-F-A-W5*-476-489	476	489	478/480/486/488	10	6	138	40	527	553	M12	40	6.24	1
2-S-F-A-W5*-488-501	488	501	490/492/494/496/498/500	10	6	138	40	539	565	M12	40	6.34	1
2-S-F-A-W5*-503-516	503	516	504/506/507/508/510/512/514/515	10	6	138	40	554	580	M12	40	6.46	1
2-S-F-B-W5*-520-533	520	533	520/521/524/526/530/532	10	6	140	40	575	603	M12	50	9.08	1
2-S-F-B-W5*-531-544	531	544	537/538/540/542/543	10	6	140	40	586	614	M12	50	9.22	1
2-S-F-B-W5*-546-559	546	559	546/548/549/550/558	10	6	140	40	601	629	M12	50	9.4	1
2-S-F-B-W5*-557-570	557	570	559/560/564/568	10	6	140	40	612	640	M12	50	9.53	1
2-S-F-B-W5*-571-584	571	584	571/572/574/576/582/583	10	6	140	40	626	654	M12	50	9.7	1
2-S-F-B-W5*-600-613	600	613	600/605/606/609,6/610/612	10	6	140	40	655	683	M12	50	10.05	1
2-S-F-B-W5*-610-623	610	623	613,7/620/622	10	6	140	40	665	693	M12	60	10.17	1
2-S-F-B-W5*-628-641	628	641	630/632/633/634/635/640	10	6	140	40	683	711	M12	60	10.39	1
2-S-F-B-W5*-648-661	648	661	650/651/654/655/658/659/660	10	6	140	40	703	731	M12	60	10.63	1
2-S-F-B-W5*-676-689	676	689	676/677/678/680/686/688	10	6	140	40	731	759	M12	60	10.97	1
2-S-F-B-W5*-688-701	688	701	690/691/698/700	10	6	140	40	743	771	M12	60	11.11	1
2-S-F-B-W5*-700-713	700	713	702,6/705/710/711,2	10	6	140	40	755	783	M12	60	11.26	1
2-S-F-B-W5*-717-730	717	730	718/720/726/729	10	6	140	40	772	800	M12	60	11.46	1
2-S-F-B-W5*-732-745	732	745	734/735/738/743/744	10	6	140	40	787	815	M12	60	11.65	1

*Article Nr.: E for EPDM, N for NBR and V for Viton.

UNI-FLEX S Ø 756 - 1471 MM | PN10/6

Steel materials Components	W5 (standard)	W4 (on request)	W2 (on request)	
Casing	1.4571 / 316 Ti	1.4301 / 304	1.4016 / 301	
Bolts	A4-80 / 316 Ti	A4-80 / 316 Ti	A4-80 / 316 Ti	
Bars	1.4571 / 316 Ti	1.4301 / 304	1.0760 / 1141	
Strip Insert (Optional)	1.4571 (316 Ti)	1.4571 (316 Ti)	1.4571 (316 Ti)	

Sealing Sleeve Application	EPDM	NBR	Viton	Silicone (on request)
Temperature range	-30°C up to +125°C	-20°C up to +80°C	-20°C up to +180°C	
Medium	all qualities of water, waste water, air, solids and chemical products	water, gas, oil, fuel and other hydrocarbons	ozone, oxygen, acids, gas, oil and fuel (only with strip insert)	

Important remarks:

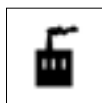
- + Follow fitting/disassembly instructions
- + The pressure values are valid for radial rigid carbon steel pipes with a minimal wall thickness under static loads
- + For metric to imperial conversion table see page 28
- + Strip inserts are required for special applications
- + Free from paint wetting disruptive substances
- + Article Nr. S2 = 2 pieces, S3 = 3 pieces

Use insert stiffeners for installation on PE, PVC, PP or PB pipes! (page 116 & 117)



Technical details are subject to change. Typing errors may occur.

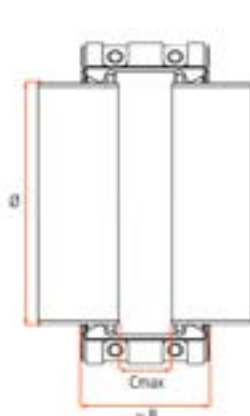
Pressure indication:



= Working pressure for industrial and land-based applications with 1.5x safety factor in bars



= Working pressure for marine applications with 4x safety factor in bars





Article Nr.	OD Ø min.	OD Ø max.	OD Ø Nominal	Pressure		Coupling dimensions not fitted				Torque rate (Nm)	Weight ≈ kg/pcs.	Packing quantity	
				PN	PN	≈ B	Cmax	≈ d	≈ H				M
2-S2-F-B-W5*-756-782	756	782	760/761/762/768/769/770/773/780	10	6	140	40	824	852	M12	60	14.74	1
2-S2-F-B-W5*-782-808	782	808	784/786/790/798/800/801/806	10	6	140	40	850	878	M12	60	15.05	1
2-S2-F-B-W5*-806-832	806	832	807,2/808/812,8/820/822/824/826/830	10	6	140	40	874	902	M12	60	15.34	1
2-S2-F-B-W5*-828-854	828	854	832/840/842/848/852	10	6	140	40	896	924	M12	60	15.61	1
2-S2-F-B-W5*-856-882	856	882	859,5/864/868/869/879/880	10	6	140	40	924	952	M12	60	15.94	1
2-S2-F-B-W5*-882-908	882	908	886/891/896/900/903/905,8	10	6	140	40	950	978	M12	60	16.26	1
2-S2-F-B-W5*-904-930	904	930	912,4/914,4/915/920/924/927/928	10	6	140	40	972	1000	M12	60	16.52	1
2-S2-F-C-W5*-936-962	936	962	940/945/950/951/952/956/960	10	6	142	40	1004	1032	M16	60	21.31	1
2-S2-F-C-W5*-961-987	961	987	964,2/965/970/977/978/984,5	10	6	142	40	1029	1057	M16	60	21.71	1
2-S2-F-C-W5*-984-1010	984	1010	989/990/992/996/1000/1008	10	6	142	40	1052	1080	M16	60	22.08	1
2-S2-F-C-W5*-1004-1030	1004	1030	1015/1016/1020/1024/1027	10	6	142	40	1072	1100	M16	60	22.4	1
2-S2-F-C-W5*-1044-1070	1044	1070	1044/1048/1054/1057/1068,3	10	6	142	40	1116	1146	M16	80	23.04	1
2-S2-F-C-W5*-1076-1102	1076	1102	1080/1086/1090,2/1100	10	6	142	40	1148	1178	M16	80	23.56	1
2-S2-F-C-W5*-1104-1130	1104	1130	1118/1120,6/1128	10	6	142	40	1176	1206	M16	80	24.01	1
2-S3-F-C-W5*-1138-1177	1138	1177	1143/1144/1152/1167/1172,5/1174	10	6	142	40	1223	1253	M16	80	27.68	1
2-S3-F-C-W5*-1192-1231	1192	1231	1200/1220/1228	10	6	142	40	1277	1307	M16	80	28.55	1
2-S3-F-C-W5*-1241-1280	1241	1280	1255/1256/1261/1276,6	10	6	142	40	1326	1356	M16	80	29.34	1
2-S3-F-C-W5*-1331-1370	1331	1370	1358	10	6	142	40	1416	1446	M16	80	30.79	1
2-S3-F-C-W5*-1413-1452	1413	1452	1420/1422/1449	10	6	142	40	1498	1528	M16	80	32.11	1
2-S3-F-C-W5*-1432-1471	1432	1471	1462/1468	10	6	142	40	1517	1547	M16	80	32.41	1

*Article Nr.: E for EPDM, N for NBR and V for Viton.

UNI-FLEX S Ø 520 - 745 MM | PN6/2.5

Steel materials Components	W5 (standard)	W4 (on request)	W2 (on request)	
Casing	1.4571 / 316 Ti	1.4301 / 304	1.4016 / 301	
Bolts	A4-80 / 316 Ti	A4-80 / 316 Ti	A4-80 / 316 Ti	
Bars	1.4571 / 316 Ti	1.4301 / 304	1.0760 / 1141	
Strip Insert (Optional)	1.4571 (316 Ti)	1.4571 (316 Ti)	1.4571 (316 Ti)	

Sealing Sleeve Application	EPDM	NBR	Viton	Silicone (on request)
Temperature range	-30°C up to +125°C	-20°C up to +80°C	-20°C up to +180°C	
Medium	all qualities of water, waste water, air, solids and chemical products	water, gas, oil, fuel and other hydrocarbons	ozone, oxygen, acids, gas, oil and fuel (only with strip insert)	

Important remarks:

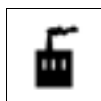
- + Follow fitting/disassembly instructions
- + The pressure values are valid for radial rigid carbon steel pipes with a minimal wall thickness under static loads
- + For metric to imperial conversion table see page 28
- + Strip inserts are required for special applications
- + Free from paint wetting disruptive substances

Use insert stiffeners for installation on PE, PVC, PP or PB pipes! (page 116 & 117)



Technical details are subject to change. Typing errors may occur.

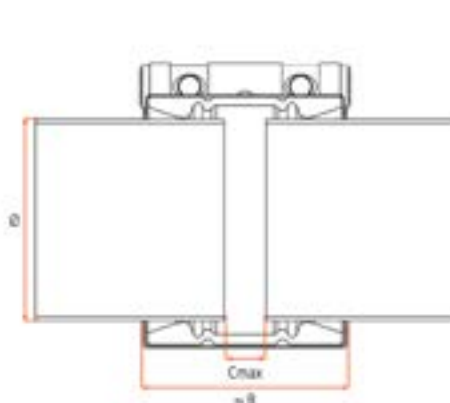
Pressure indication:



= Working pressure for industrial and land-based applications with 1.5x safety factor in bars



= Working pressure for marine applications with 4x safety factor in bars





Article Nr.	OD Ø min.	OD Ø max.	OD Ø Nominal	Pressure		Coupling dimensions not fitted					Torque rate (Nm)	Weight ≈ kg/pcs.	Packing quantity
				PN	PN	≈ B	Cmax	≈ d	≈ H	M			
2-S-F-A-W5*-520-533	520	533	520/521/524/526/530/532	6	2.5	138	40	575	603	M12	60	6.59	1
2-S-F-A-W5*-531-544	531	544	537/538/540/542/543	6	2.5	138	40	586	614	M12	60	6.68	1
2-S-F-A-W5*-546-559	546	559	546/548/549/550/558	6	2.5	138	40	601	629	M12	60	6.80	1
2-S-F-A-W5*-557-570	557	570	559/560/564/568	6	2.5	138	40	612	640	M12	60	6.88	1
2-S-F-A-W5*-571-584	571	584	571/572/574/576/582/583	6	2.5	138	40	626	654	M12	60	6.99	1
2-S-F-A-W5*-600-613	600	613	600/605/606/609,6/610/612	6	2.5	138	40	655	683	M12	60	7.22	1
2-S-F-A-W5*-610-623	610	623	613,7/620/622	6	2.5	138	40	665	693	M12	70	7.30	1
2-S-F-A-W5*-628-641	628	641	630/632/633/634/635/640	6	2.5	138	40	683	711	M12	70	7.44	1
2-S-F-A-W5*-648-661	648	661	650/651/654/655/658/659/660	6	2.5	138	40	703	731	M12	70	7.60	1
2-S-F-A-W5*-676-689	676	689	676/677/678/680/686/688	6	2.5	138	40	731	759	M12	70	7.82	1
2-S-F-A-W5*-688-701	688	701	690/691/698/700	6	2.5	138	40	743	771	M12	70	7.92	1
2-S-F-A-W5*-700-713	700	713	702,6/705/710/711,2	6	2.5	138	40	755	783	M12	70	8.01	1
2-S-F-A-W5*-717-730	717	730	718/720/726/729	6	2.5	138	40	772	800	M12	70	8.15	1
2-S-F-A-W5*-732-745	732	745	734/735/738/743/744	6	2.5	138	40	787	815	M12	70	8.26	1

*Article Nr.: E for EPDM, N for NBR and V for Viton.

UNI-FLEX S Ø 756 - 2090 MM | PN6/2.5

Steel materials Components	W5 (standard)	W4 (on request)	W2 (on request)	
Casing	1.4571 / 316 Ti	1.4301 / 304	1.4016 / 301	
Bolts	A4-80 / 316 Ti	A4-80 / 316 Ti	A4-80 / 316 Ti	
Bars	1.4571 / 316 Ti	1.4301 / 304	1.0760 / 1141	
Strip Insert (Optional)	1.4571 (316 Ti)	1.4571 (316 Ti)	1.4571 (316 Ti)	

Sealing Sleeve Application	EPDM	NBR	Viton	Silicone (on request)
Temperature range	-30°C up to +125°C	-20°C up to +80°C	-20°C up to +180°C	
Medium	all qualities of water, waste water, air, solids and chemical products	water, gas, oil, fuel and other hydrocarbons	ozone, oxygen, acids, gas, oil and fuel (only with strip insert)	

Important remarks:

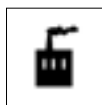
- + Follow fitting/disassembly instructions
- + The pressure values are valid for radial rigid carbon steel pipes with a minimal wall thickness under static loads
- + For metric to imperial conversion table see page 28
- + Strip inserts are required for special applications
- + Free from paint wetting disruptive substances
- + Article Nr. S2 = 2 pieces, S3 = 3 pieces, S4 = 4 pieces

Use insert stiffeners for installation on PE, PVC, PP or PB pipes! (page 116 & 117)



Technical details are subject to change. Typing errors may occur.

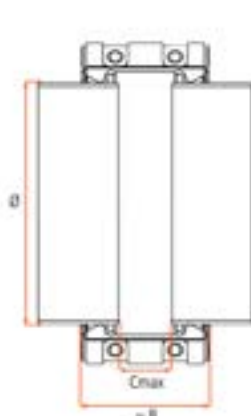
Pressure indication:



= Working pressure for industrial and land-based applications with 1.5x safety factor in bars



= Working pressure for marine applications with 4x safety factor in bars





Article Nr.	OD Ø min.	OD Ø max.	OD Ø Nominal	Pressure		Coupling dimensions not fitted					Torque rate (Nm)	Weight ≈ kg/pcs.	Packing quantity
				PN	PN	≈ B	Cmax	≈ d	≈ H	M			
2-S2-F-A-W5*-756-782	756	782	760/761/762/768/769/770/773/780	6	2.5	138	40	824	852	M12	70	10.94	1
2-S2-F-A-W5*-782-808	782	808	784/786/790/798/800/801/806	6	2.5	138	40	850	878	M12	70	11.15	1
2-S2-F-A-W5*-806-832	806	832	807,2/808/812,8/820/822/824/826/830	6	2.5	138	40	874	902	M12	70	11.33	1
2-S2-F-A-W5*-828-854	828	854	832/840/842/848/852	6	2.5	138	40	896	924	M12	70	11.51	1
2-S2-F-A-W5*-856-882	856	882	859,5/864/868/869/879/880	6	2.5	138	40	924	952	M12	70	11.73	1
2-S2-F-A-W5*-882-908	882	908	886/891/896/900/903/905,8	6	2.5	138	40	950	978	M12	70	11.93	1
2-S2-F-A-W5*-904-930	904	930	912,4/914,4/915/920/924/927/928	6	2.5	138	40	972	1000	M12	70	12.11	1
2-S2-F-B-W5*-936-962	936	962	940/945/950/951/952/956/960	6	2.5	140	40	1004	1032	M12	80	16.91	1
2-S2-F-B-W5*-961-987	961	987	964,2/965/970/977/978/984,5	6	2.5	140	40	1029	1057	M12	80	17.21	1
2-S2-F-B-W5*-984-1010	984	1010	989/990/992/996/1000/1008	6	2.5	140	40	1052	1080	M12	80	17.49	1
2-S2-F-B-W5*-1004-1030	1004	1030	1015/1016/1020/1024/1027	6	2.5	140	40	1072	1100	M12	80	17.73	1
2-S2-F-B-W5*-1044-1070	1044	1070	1044/1048/1054/1057/1068,3	6	2.5	140	40	1116	1146	M12	80	18.22	1
2-S2-F-B-W5*-1076-1102	1076	1102	1080/1086/1090,2/1100	6	2.5	140	40	1148	1178	M12	80	18.60	1
2-S2-F-B-W5*-1104-1130	1104	1130	1118/1120,6/1128	6	2.5	140	40	1176	1206	M12	80	18.94	1
2-S3-F-B-W5*-1138-1177	1138	1177	1143/1144/1152/1167/1172,5/1174	6	2.5	140	40	1223	1253	M12	80	22.15	1
2-S3-F-B-W5*-1192-1231	1192	1231	1200/1220/1228	6	2.5	140	40	1277	1307	M12	80	22.80	1
2-S3-F-B-W5*-1241-1280	1241	1280	1255/1256/1261/1276,6	6	2.5	140	40	1326	1356	M12	80	23.40	1
2-S3-F-B-W5*-1331-1370	1331	1370	1358	6	2.5	140	40	1416	1446	M12	80	24.48	1
2-S3-F-B-W5*-1413-1452	1413	1452	1420/1422/1449	6	2.5	140	40	1498	1528	M12	80	25.47	1
2-S3-F-B-W5*-1432-1471	1432	1471	1462/1468	6	2.5	142	40	1517	1547	M12	80	25.70	1
2-S3-F-C-W5*-1529-1568	1529	1568	1560/1565	6	2.5	142	40	1614	1644	M12	80	33.97	1
2-S4-F-C-W5*-1620-1672	1620	1672	1620/1626/1640/1668	6	2.5	142	40	1718	1748	M12	80	38.56	1
2-S4-F-C-W5*-1827-1879	1827	1879	1820/1829/1844/1875	6	2.5	142	40	1925	1955	M12	80	41.89	1
2-S4-F-C-W5*-2000-2052	2000	2052	2020/2032/2048	6	2.5	142	40	2098	2128	M12	80	44.67	1
2-S4-F-C-W5*-2038-2090	2038	2090	2082	6	2.5	142	40	2136	2166	M12	80	45.28	1

*Article Nr.: E for EPDM, N for NBR and V for Viton.

UNI-REP S Ø 33 - 172 MM | PN25/16

Steel materials Components	W5 (standard)	W4 (on request)	W2 (on request)	
Casing	1.4571 / 316 Ti	1.4301 / 304	1.4016 / 301	
Bolts	A4-80 / 316 Ti	A4-80 / 316 Ti	A4-80 / 316 Ti	
Bars	1.4571 / 316 Ti	1.4301 / 304	1.0760 / 1141	
Strip Insert (Optional)	1.4571 (316 Ti)	1.4571 (316 Ti)	1.4571 (316 Ti)	

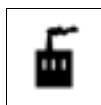
Sealing Sleeve Application	EPDM	NBR	Viton (on request)	Silicone (on request)
Temperature range	-30°C up to +125°C	-20°C up to +80°C	-20°C up to +180°C	
Medium	all qualities of water, waste water, air, solids and chemical products	water, gas, oil, fuel and other hydrocarbons	ozone, oxygen, acids, gas, oil and fuel (only with strip insert)	

Important remarks:

- + Follow fitting/disassembly instructions
- + The pressure values are valid for radial rigid carbon steel pipes with a minimal wall thickness under static loads
- + For metric to imperial conversion table see page 28
- + Strip inserts are required for special applications
- + Free from paint wetting disruptive substances

Technical details are subject to change. Typing errors may occur.

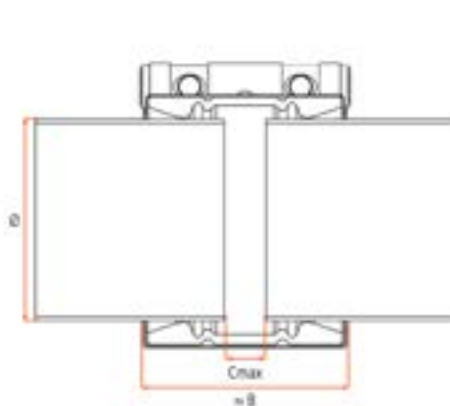
Pressure indication:



= Working pressure for industrial and land-based applications with 1.5x safety factor in bars



= Working pressure for marine applications with 4x safety factor in bars





Article Nr.	OD Ø min.	OD Ø max.	OD Ø Nominal	Pressure		Coupling dimensions not fitted					Torque rate (Nm)	Weight ≈ kg/pcs.	Packing quantity
				PN	PN	≈ B	Cmax	≈ d	≈ H	M			
1-S-R-W5-*-33-36	33	36	33.7/35	25	16	45	10	54	84	M6	3	0.20	10
1-S-R-W5-*-36-39	36	39	38	25	16	60	15	66	104	M8	5	0.40	10
1-S-R-W5-*-39-43	39	43	42.4	25	16	60	15	66	104	M8	5	0.40	10
1-S-R-W5-*-43-47,5	43	47.5	44.5	25	16	60	15	74	112	M8	5	0.40	10
1-S-R-W5-*-47,5-52,5	47.5	52.5	48.3	25	16	60	15	74	112	M8	5	0.40	10
1-S-R-W5-*-52,5-58	52.5	58	54/57	25	16	75	25	85	125	M8	5	0.60	10
1-S-R-W5-*-58-64	58	64	60.3/63	25	16	75	25	85	125	M8	5	0.60	10
1-S-R-W5-*-64-72	64	72	66.6/68/69/70	25	16	95	30	108	164	M10	10	1.00	10
1-S-R-W5-*-72-80	72	80	73/76.1/79.5	25	16	95	30	108	164	M10	10	1.00	10
1-S-R-W5-*-80-88	80	88	84	25	16	95	30	124	170	M10	10	1.00	10
1-S-R-W5-*-88-96	88	96	88.9	25	16	95	30	124	170	M10	10	1.00	10
1-S-R-W5-*-97-105	97	105	98/100.6/101.6/104	25	16	95	30	141	187	M10	10	1.10	10
1-S-R-W5-*-104-112	104	112	104.8/108/110	25	16	95	30	141	187	M10	10	1.10	10
1-S-R-W5-*-112-120	112	120	114.3/118	25	16	95	30	158	202	M10	12.5	1.20	10
1-S-R-W5-*-122-130	122	130	125/127/129	25	16	95	30	158	202	M10	12.5	1.20	10
1-S-R-W5-*-129-137	129	137	130.2/131/133	25	16	110	40	178	230	M12	20	2.10	5
1-S-R-W5-*-137-145	137	145	139.7/141.3/141.6	25	16	110	40	186	238	M12	25	2.20	5
1-S-R-W5-*-149-157	149	157	154/155	25	16	110	40	197	249	M12	30	2.30	5
1-S-R-W5-*-157-165	157	165	159	25	16	110	40	205	255	M12	30	2.30	5
1-S-R-W5-*-164-172	164	172	165/168.3	25	16	110	40	212	262	M12	30	2.40	5

*Article Nr.: E for EPDM and N for NBR.

UNI-REP S Ø 172 - 930 MM | PN25/16

Steel materials Components	W5 (standard)	W4 (on request)	W2 (on request)	
Casing	1.4571 / 316 Ti	1.4301 / 304	1.4016 / 301	
Bolts	A4-80 / 316 Ti	A4-80 / 316 Ti	A4-80 / 316 Ti	
Bars	1.4571 / 316 Ti	1.4301 / 304	1.0760 / 1141	
Strip Insert (Optional)	1.4571 (316 Ti)	1.4571 (316 Ti)	1.4571 (316 Ti)	

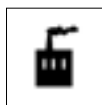
Sealing Sleeve Application	EPDM	NBR	Viton	Silicone (on request)
Temperature range	-30°C up to +125°C	-20°C up to +80°C	-20°C up to +180°C	
Medium	all qualities of water, waste water, air, solids and chemical products	water, gas, oil, fuel and other hydrocarbons	ozone, oxygen, acids, gas, oil and fuel (only with strip insert)	

Important remarks:

- + Follow fitting/disassembly instructions
- + The pressure values are valid for radial rigid carbon steel pipes with a minimal wall thickness under static loads
- + For metric to imperial conversion table see page 28
- + Strip inserts are required for special applications
- + Free from paint wetting disruptive substances
- + Article Nr. S2 = 2 pieces

Technical details are subject to change. Typing errors may occur.

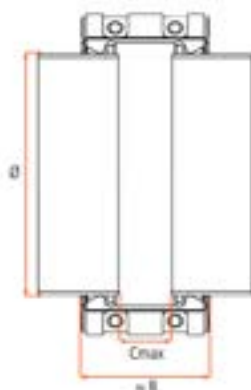
Pressure indication:



= Working pressure for industrial and land-based applications with 1.5x safety factor in bars



= Working pressure for marine applications with 4x safety factor in bars





Article Nr.	OD Ø min.	OD Ø max.	OD Ø Nominal	Pressure		Coupling dimensions not fitted					Torque rate (Nm)	Weight ≈ kg/pcs.	Packing quantity
				PN	PN	≈ B	Cmax	≈ d	≈ H	M			
2-S2-R-B-W5*-172-198	172	198	185/187/190/191/193,7/195/196/197	25	16	140	40	236	262	M12	30	7.80	1
2-S2-R-B-W5*-197-223	197	223	211/212/215/216/217/219,1/220/222	25	16	140	40	261	287	M12	30	7.10	1
2-S2-R-B-W5*-221-247	221	247	236/238/240/241/242/244/244,5/246	25	16	140	40	285	311	M12	30	8.39	1
2-S2-R-B-W5*-250-276	250	276	264/268/267/271/272/273,1/274/275	25	16	140	40	314	340	M12	30	8.74	1
2-S2-R-C-W5*-275-301	275	301	290/292/295/296/298/300	25	16	142	40	339	365	M16	30	10.84	1
2-S2-R-C-W5*-302-328	302	328	315/316/318/320/321/323,9/326/327	25	16	142	40	366	392	M16	30	11.27	1
2-S2-R-C-W5*-327-353	327	353	340/342/343/345/346/348/350/352	25	16	142	40	391	417	M16	50	11.67	1
2-S2-R-G-W5*-348-374	348	374	367/368/372	25	16	146	40	412	438	M16	50	16.10	1
2-S2-R-G-W5*-374-400	374	400	388/392/394/395/396/398/399	25	16	146	40	438	464	M16	50	16.75	1
2-S2-R-G-W5*-399-425	399	425	419/420/421	25	16	146	40	463	489	M16	50	17.38	1
2-S2-R-G-W5*-425-451	425	451	439/440/441/442/444/448/450	25	16	146	40	489	515	M16	50	18.03	1
2-S2-R-G-W5*-447-473	447	473	464/468/470	25	16	146	40	511	537	M16	50	18.58	1
2-S2-R-G-W5*-475-501	475	501	490/492/494/496/498/500	25	16	146	40	539	565	M16	50	19.28	1
2-S2-R-G-W5*-490-516	490	516	504/506/507/508/510/512/514/515	25	16	146	40	554	580	M16	50	19.66	1
2-S2-R-G-W5*-507-533	507	533	520/521/524/526/530/532	25	16	146	40	575	603	M16	60	20.08	1
2-S2-R-G-W5*-533-559	533	559	546/548/549/550/558	25	16	146	40	601	629	M16	60	20.74	1
2-S2-R-G-W5*-558-584	558	584	571/572/574/576/582/583	25	16	146	40	626	654	M16	60	21.36	1
2-S2-R-G-W5*-587-613	587	613	600/605/606/609,6/610/612	25	16	146	40	655	683	M16	60	22.09	1
2-S2-R-G-W5*-615-641	615	641	630/632/633/634/635/640	25	16	146	40	683	711	M16	70	22.79	1
2-S2-R-G-W5*-635-661	635	661	650/651/654/655/658/659/660	25	16	146	40	703	731	M16	70	23.29	1
2-S2-R-G-W5*-663-689	663	689	676/677/678/680/686/688	25	16	146	40	731	759	M16	70	23.99	1
2-S2-R-G-W5*-687-713	687	713	702,6/705/710/711,2	25	16	146	40	755	783	M16	70	24.60	1
2-S2-R-G-W5*-704-730	704	730	718/720/726/729	25	16	146	40	772	800	M16	70	25.02	1
2-S2-R-G-W5*-719-745	719	745	734/735/738/743/744	25	16	146	40	787	815	M16	70	25.40	1
2-S2-R-G-W5*-756-782	756	782	760/761/762/768/769/770/773/780	25	16	146	40	824	852	M16	70	26,08	1
2-S2-R-G-W5*-782-808	782	808	784/786/790/798/800/801/806	25	16	146	40	850	878	M16	70	26,73	1
2-S2-R-G-W5*-806-832	806	832	807,2/808/812,8/820/822/824/826/830	25	16	146	40	874	902	M16	70	27,33	1
2-S2-R-G-W5*-828-854	828	854	832/840/842/848/852	25	16	146	40	896	924	M16	80	27,88	1
2-S2-R-G-W5*-856-882	856	882	859,5/864/868/869/879/880	25	16	146	40	924	952	M16	80	28,58	1
2-S2-R-G-W5*-882-908	882	908	886/891/896/900/903/905,8	25	16	146	40	950	978	M16	80	29,23	1
2-S2-R-G-W5*-904-930	904	930	912,4/914,4/915/920/924/927/928	25	16	146	40	972	1000	M16	80	29,79	1

*Article Nr.: E for EPDM, N for NBR and V for Viton.

UNI-REP S Ø 172 - 1452 MM | PN16/10

Steel materials Components	W5 (standard)	W4 (on request)	W2 (on request)	
Casing	1.4571 / 316 Ti	1.4301 / 304	1.4016 / 301	
Bolts	A4-80 / 316 Ti	A4-80 / 316 Ti	A4-80 / 316 Ti	
Bars	1.4571 / 316 Ti	1.4301 / 304	1.0760 / 1141	
Strip Insert (Optional)	1.4571 (316 Ti)	1.4571 (316 Ti)	1.4571 (316 Ti)	

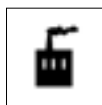
Sealing Sleeve Application	EPDM	NBR	Viton	Silicone (on request)
Temperature range	-30°C up to +125°C	-20°C up to +80°C	-20°C up to +180°C	
Medium	all qualities of water, waste water, air, solids and chemical products	water, gas, oil, fuel and other hydrocarbons	ozone, oxygen, acids, gas, oil and fuel (only with strip insert)	

Important remarks:

- + Follow fitting/disassembly instructions
- + The pressure values are valid for radial rigid carbon steel pipes with a minimal wall thickness under static loads
- + For metric to imperial conversion table see page 28
- + Strip inserts are required for special applications
- + Free from paint wetting disruptive substances
- + Article Nr. S2 = 2 pieces, S3 = 3 pieces

Technical details are subject to change. Typing errors may occur.

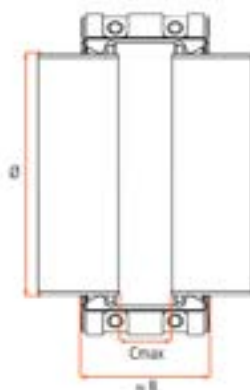
Pressure indication:



= Working pressure for industrial and land-based applications with 1.5x safety factor in bars



= Working pressure for marine applications with 4x safety factor in bars





Article Nr.	OD Ø min.	OD Ø max.	OD Ø Nominal	Pressure		Coupling dimensions not fitted					Torque rate (Nm)	Weight ≈ kg/pcs.	Packing quantity
				PN	PN	≈ B	Cmax	≈ d	≈ H	M			
2-S2-R-A-W5*-172-198	172	198	185/187/190/191/193,7/195/196/197	16	10	138	40	236	262	M12	30	6.41	1
2-S2-R-A-W5*-197-223	197	223	211/212/215/216/217/219,1/220/222	16	10	138	40	261	287	M12	30	6.61	1
2-S2-R-A-W5*-221-247	221	247	236/238/240/241/242/244/244,5/246	16	10	138	40	285	311	M12	30	6.80	1
2-S2-R-A-W5*-250-276	250	276	264/268/267/271/272/273,1/274/275	16	10	138	40	314	340	M12	30	7.02	1
2-S2-R-B-W5*-275-301	275	301	290/292/295/296/298/300	16	10	140	40	339	365	M12	30	9.05	1
2-S2-R-B-W5*-302-328	302	328	315/316/318/320/321/323,9/326/327	16	10	140	40	366	392	M12	30	9.37	1
2-S2-R-B-W5*-327-353	327	353	340/342/343/345/346/348/350/352	16	10	140	40	391	417	M12	40	9.67	1
2-S2-R-C-W5*-348-374	348	374	367/368/372	16	10	142	40	412	438	M12	40	12.01	1
2-S2-R-C-W5*-374-400	374	400	388/392/394/395/396/398/399	16	10	142	40	438	464	M12	40	12.43	1
2-S2-R-C-W5*-399-425	399	425	419/420/421	16	10	142	40	463	489	M12	40	12.83	1
2-S2-R-C-W5*-425-451	425	451	439/440/441/442/444/448/450	16	10	142	40	489	515	M12	40	13.25	1
2-S2-R-C-W5*-447-473	447	473	464/468/470	16	10	142	40	511	537	M12	40	13.60	1
2-S2-R-C-W5*-475-501	475	501	490/492/494/496/498/500	16	10	142	40	539	565	M12	40	14.05	1
2-S2-R-C-W5*-490-516	490	516	504/506/507/508/510/512/514/515	16	10	142	40	554	580	M12	40	14.29	1
2-S2-R-C-W5*-507-533	507	533	520/521/524/526/530/532	16	10	142	40	575	603	M16	50	14.57	1
2-S2-R-C-W5*-533-559	533	559	546/548/549/550/558	16	10	142	40	601	629	M16	50	14.99	1
2-S2-R-C-W5*-558-584	558	584	571/572/574/576/582/583	16	10	142	40	626	654	M16	50	15.39	1
2-S2-R-C-W5*-587-613	587	613	600/605/606/609,6/610/612	16	10	142	40	655	683	M16	50	15.85	1
2-S2-R-C-W5*-615-641	615	641	630/632/633/634/635/640	16	10	142	40	683	711	M16	60	16.30	1
2-S2-R-C-W5*-635-661	635	661	650/651/654/655/658/659/660	16	10	142	40	703	731	M16	60	16.63	1
2-S2-R-C-W5*-663-689	663	689	676/677/678/680/686/688	16	10	142	40	731	759	M16	60	17.08	1
2-S2-R-C-W5*-687-713	687	713	702,6/705/710/711,2	16	10	142	40	755	783	M16	60	17.46	1
2-S2-R-C-W5*-704-730	704	730	718/720/726/729	16	10	142	40	772	800	M16	60	17.74	1
2-S2-R-C-W5*-719-745	719	745	734/735/738/743/744	16	10	142	40	787	815	M16	60	17.98	1
2-S2-R-C-W5*-756-782	756	782	760/761/762/768/769/770/773/780	16	10	142	40	824	852	M16	60	18,41	1
2-S2-R-C-W5*-782-808	782	808	784/786/790/798/800/801/806	16	10	142	40	850	878	M16	60	18,83	1
2-S2-R-C-W5*-806-832	806	832	807,2/808/812,8/820/822/824/826/830	16	10	142	40	874	902	M16	60	19,22	1
2-S2-R-C-W5*-828-854	828	854	832/840/842/848/852	16	10	142	40	896	924	M16	60	19,57	1
2-S2-R-C-W5*-856-882	856	882	859,5/864/868/869/879/880	16	10	142	40	924	952	M16	60	20,02	1
2-S2-R-C-W5*-882-908	882	908	886/891/896/900/903/905,8	16	10	142	40	950	978	M16	60	20,44	1
2-S2-R-C-W5*-904-930	904	930	912,4/914,4/915/920/924/927/928	16	10	142	40	972	1000	M16	60	20,79	1
2-S2-R-G-W5*-936-962	936	962	940/945/950/951/952/956/960	16	10	146	40	1004	1032	M16	60	30,59	1
2-S2-R-G-W5*-961-987	961	987	964,2/965/970/977/978/984,5	16	10	146	40	1029	1057	M16	60	31,21	1
2-S2-R-G-W5*-984-1010	984	1010	989/990/992/996/1000/1008	16	10	146	40	1052	1080	M16	60	31,79	1
2-S2-R-G-W5*-1004-1030	1004	1030	1015/1016/1020/1024/1027	16	10	146	40	1072	1100	M16	60	32,29	1
2-S2-R-G-W5*-1044-1070	1044	1070	1044/1048/1054/1057/1068,3	16	10	146	40	1116	1146	M16	80	33,30	1
2-S2-R-G-W5*-1076-1102	1076	1102	1080/1086/1090,2/1100	16	10	146	40	1148	1178	M16	80	34,10	1
2-S2-R-G-W5*-1104-1130	1104	1130	1118/1120,6/1128	16	10	146	40	1176	1206	M16	80	34,80	1
2-S3-R-G-W5*-1138-1177	1138	1177	1143/1144/1152/1167/1172,5/1174	16	10	146	40	1223	1253	M16	80	39,21	1
2-S3-R-G-W5*-1192-1231	1192	1231	1200/1220/1228	16	10	146	40	1277	1307	M16	80	40,57	1
2-S3-R-G-W5*-1241-1280	1241	1280	1255/1256/1261/1276,6	16	10	146	40	1326	1356	M16	80	41,80	1
2-S3-R-G-W5*-1331-1370	1331	1370	1358	16	10	146	40	1416	1446	M16	80	44,05	1
2-S3-R-G-W5*-1413-1452	1413	1452	1420/1422/1449	16	10	146	40	1498	1528	M16	80	46,11	1

*Article Nr.: E for EPDM, N for NBR and V for Viton.

UNI-REP S Ø 264 - 1471 MM | PN10/6

Steel materials Components	W5 (standard)	W4 (on request)	W2 (on request)	
Casing	1.4571 / 316 Ti	1.4301 / 304	1.4016 / 301	
Bolts	A4-80 / 316 Ti	A4-80 / 316 Ti	A4-80 / 316 Ti	
Bars	1.4571 / 316 Ti	1.4301 / 304	1.0760 / 1141	
Strip Insert (Optional)	1.4571 (316 Ti)	1.4571 (316 Ti)	1.4571 (316 Ti)	

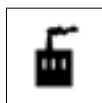
Sealing Sleeve Application	EPDM	NBR	Viton	Silicone (on request)
Temperature range	-30°C up to +125°C	-20°C up to +80°C	-20°C up to +180°C	
Medium	all qualities of water, waste water, air, solids and chemical products	water, gas, oil, fuel and other hydrocarbons	ozone, oxygen, acids, gas, oil and fuel (only with strip insert)	

Important remarks:

- + Follow fitting/disassembly instructions
- + The pressure values are valid for radial rigid carbon steel pipes with a minimal wall thickness under static loads
- + For metric to imperial conversion table see page 28
- + Strip inserts are required for special applications
- + Free from paint wetting disruptive substances
- + Article Nr. S2 = 2 pieces, S3 = 3 pieces

Technical details are subject to change. Typing errors may occur.

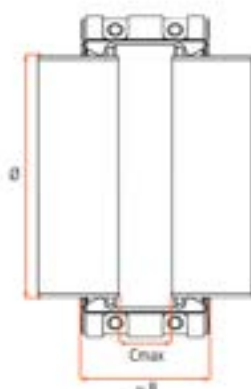
Pressure indication:



= Working pressure for industrial and land-based applications with 1.5x safety factor in bars



= Working pressure for marine applications with 4x safety factor in bars





Article Nr.	OD Ø min.	OD Ø max.	OD Ø Nominal	Pressure		Coupling dimensions not fitted				Torque rate (Nm)	Weight ≈ kg/pcs.	Packing quantity	
				PN	PN	≈ B	Cmax	≈ d	≈ H				M
2-S2-R-A-W5*-264-290	264	290	278/280/284/286/287/288/289	10	6	138	40	328	354	M12	30	7.14	1
2-S2-R-A-W5*-275-301	275	301	290/292/295/296/298/300	10	6	138	40	339	365	M12	30	7.22	1
2-S2-R-A-W5*-302-328	302	328	315/316/318/320/321/323,9/326/327	10	6	138	40	366	392	M12	30	7.44	1
2-S2-R-A-W5*-327-353	327	353	340/342/343/345/346/348/350/352	10	6	138	40	391	417	M12	40	7.63	1
2-S2-R-A-W5*-348-374	348	374	367/368/372	10	6	138	40	412	438	M12	40	7.80	1
2-S2-R-A-W5*-374-400	374	400	388/392/394/395/396/398/399	10	6	138	40	438	464	M12	40	8.00	1
2-S2-R-A-W5*-399-425	399	425	419/420/421	10	6	138	40	463	489	M12	40	8.20	1
2-S2-R-A-W5*-425-451	425	451	439/440/441/442/444/448/450	10	6	138	40	489	515	M12	40	8.41	1
2-S2-R-A-W5*-447-473	447	473	464/468/470	10	6	138	40	511	537	M12	40	8.58	1
2-S2-R-A-W5*-475-501	475	501	490/492/494/496/498/500	10	6	138	40	539	565	M12	40	8.80	1
2-S2-R-A-W5*-490-516	490	516	504/506/507/508/510/512/514/515	10	6	138	40	554	580	M12	40	8.92	1
2-S2-R-B-W5*-507-533	507	533	520/521/524/526/530/532	10	6	140	40	575	603	M12	50	11.85	1
2-S2-R-B-W5*-533-559	533	559	546/548/549/550/558	10	6	140	40	601	629	M12	50	12.16	1
2-S2-R-B-W5*-558-584	558	584	571/572/574/576/582/583	10	6	140	40	626	654	M12	50	12.46	1
2-S2-R-B-W5*-587-613	587	613	600/605/606/609,6/610/612	10	6	140	40	655	683	M12	50	12.81	1
2-S2-R-B-W5*-615-641	615	641	630/632/633/634/635/640	10	6	140	40	683	711	M12	60	13.15	1
2-S2-R-B-W5*-635-661	635	661	650/651/654/655/658/659/660	10	6	140	40	703	731	M12	60	13.39	1
2-S2-R-B-W5*-663-689	663	689	676/677/678/680/686/688	10	6	140	40	731	759	M12	60	13.73	1
2-S2-R-B-W5*-687-713	687	713	702,6/705/710/711,2	10	6	140	40	755	783	M12	60	14.02	1
2-S2-R-B-W5*-704-730	704	730	718/720/726/729	10	6	140	40	772	800	M12	60	14.23	1
2-S2-R-B-W5*-719-745	719	745	734/735/738/743/744	10	6	140	40	787	815	M12	60	14.41	1
2-S2-R-B-W5*-756-782	756	782	760/761/762/768/769/770/773/780	10	6	140	40	824	852	M12	60	14,74	1
2-S2-R-B-W5*-782-808	782	808	784/786/790/798/800/801/806	10	6	140	40	850	878	M12	60	15,05	1
2-S2-R-B-W5*-806-832	806	832	807,2/808/812,8/820/822/824/826/830	10	6	140	40	874	902	M12	60	15,34	1
2-S2-R-B-W5*-828-854	828	854	832/840/842/848/852	10	6	140	40	896	924	M12	60	15,61	1
2-S2-R-B-W5*-856-882	856	882	859,5/864/868/869/879/880	10	6	140	40	924	952	M12	60	15,94	1
2-S2-R-B-W5*-882-908	882	908	886/891/896/900/903/905,8	10	6	140	40	950	978	M12	60	16,26	1
2-S2-R-B-W5*-904-930	904	930	912,4/914,4/915/920/924/927/928	10	6	140	40	972	1000	M12	60	16,52	1
2-S2-R-C-W5*-936-962	936	962	940/945/950/951/952/956/960	10	6	142	40	1004	1032	M16	60	21,31	1
2-S2-R-C-W5*-961-987	961	987	964,2/965/970/977/978/984,5	10	6	142	40	1029	1057	M16	60	21,71	1
2-S2-R-C-W5*-984-1010	984	1010	989/990/992/996/1000/1008	10	6	142	40	1052	1080	M16	60	22,08	1
2-S2-R-C-W5*-1004-1030	1004	1030	1015/1016/1020/1024/1027	10	6	142	40	1072	1100	M16	60	22,40	1
2-S2-R-C-W5*-1044-1070	1044	1070	1044/1048/1054/1057/1068,3	10	6	142	40	1116	1146	M16	80	23,04	1
2-S2-R-C-W5*-1076-1102	1076	1102	1080/1086/1090,2/1100	10	6	142	40	1148	1178	M16	80	23,56	1
2-S2-R-C-W5*-1104-1130	1104	1130	1118/1120,6/1128	10	6	142	40	1176	1206	M16	80	24,01	1
2-S3-R-C-W5*-1138-1177	1138	1177	1143/1144/1152/1167/1172,5/1174	10	6	142	40	1223	1253	M16	80	27,68	1
2-S3-R-C-W5*-1192-1231	1192	1231	1200/1220/1228	10	6	142	40	1277	1307	M16	80	28,55	1
2-S3-R-C-W5*-1241-1280	1241	1280	1255/1256/1261/1276,6	10	6	142	40	1326	1356	M16	80	29,34	1
2-S3-R-C-W5*-1331-1370	1331	1370	1358	10	6	142	40	1416	1446	M16	80	30,79	1
2-S3-R-C-W5*-1413-1452	1413	1452	1420/1422/1449	10	6	142	40	1498	1528	M16	80	32,11	1
2-S3-R-C-W5*-1432-1471	1432	1471	1462/1468	10	6	142	40	1517	1547	M16	80	32,41	1

*Article Nr.: E for EPDM, N for NBR and V for Viton.

UNI-REP S Ø 507 - 2090 MM | PN6/2.5

Steel materials Components	W5 (standard)	W4 (on request)	W2 (on request)	
Casing	1.4571 / 316 Ti	1.4301 / 304	1.4016 / 301	
Bolts	A4-80 / 316 Ti	A4-80 / 316 Ti	A4-80 / 316 Ti	
Bars	1.4571 / 316 Ti	1.4301 / 304	1.0760 / 1141	
Strip Insert (Optional)	1.4571 (316 Ti)	1.4571 (316 Ti)	1.4571 (316 Ti)	

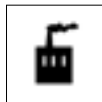
Sealing Sleeve Application	EPDM	NBR	Viton	Silicone (on request)
Temperature range	-30°C up to +125°C	-20°C up to +80°C	-20°C up to +180°C	
Medium	all qualities of water, waste water, air, solids and chemical products	water, gas, oil, fuel and other hydrocarbons	ozone, oxygen, acids, gas, oil and fuel (only with strip insert)	

Important remarks:

- + Follow fitting/disassembly instructions
- + The pressure values are valid for radial rigid carbon steel pipes with a minimal wall thickness under static loads
- + For metric to imperial conversion table see page 28
- + Strip inserts are required for special applications
- + Free from paint wetting disruptive substances
- + Article Nr. S2 = 2 pieces, S3 = 3 pieces, S4 = 4 pieces

Technical details are subject to change. Typing errors may occur.

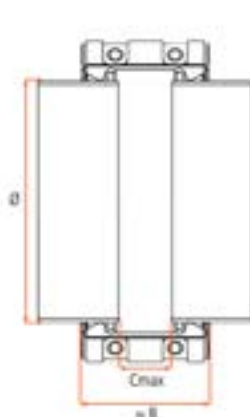
Pressure indication:



= Working pressure for industrial and land-based applications with 1.5x safety factor in bars



= Working pressure for marine applications with 4x safety factor in bars





Article Nr.	OD Ø min.	OD Ø max.	OD Ø Nominal	Pressure		Coupling dimensions not fitted					Torque rate (Nm)	Weight ≈ kg/pcs.	Packing quantity
				PN	PN	≈ B	Cmax	≈ d	≈ H	M			
2-S2-R-A-W5*-507-533	507	533	520/521/524/526/530/532	6	2.5	140	40	575	603	M12	60	11,85	1
2-S2-R-A-W5*-533-559	533	559	546/548/549/550/558	6	2.5	140	40	601	629	M12	60	12,16	1
2-S2-R-A-W5*-558-584	558	584	571/572/574/576/582/583	6	2.5	140	40	626	654	M12	60	12,46	1
2-S2-R-A-W5*-587-613	587	613	600/605/606/609,6/610/612	6	2.5	140	40	655	683	M12	60	12,81	1
2-S2-R-A-W5*-615-641	615	641	630/632/633/634/635/640	6	2.5	140	40	683	711	M12	70	13,15	1
2-S2-R-A-W5*-635-661	635	661	650/651/654/655/658/659/660	6	2.5	140	40	703	731	M12	70	13,39	1
2-S2-R-A-W5*-663-689	663	689	676/677/678/680/686/688	6	2.5	140	40	731	759	M12	70	13,73	1
2-S2-R-A-W5*-687-713	687	713	702,6/705/710/711,2	6	2.5	140	40	755	783	M12	70	14,02	1
2-S2-R-A-W5*-704-730	704	730	718/720/726/729	6	2.5	140	40	772	800	M12	70	14,23	1
2-S2-R-A-W5*-719-745	719	745	734/735/738/743/744	6	2.5	140	40	787	815	M12	70	14,41	1
2-S2-R-A-W5*-756-782	756	782	760/761/762/768/769/770/773/780	6	2.5	138	40	824	852	M12	70	14,94	1
2-S2-R-A-W5*-782-808	782	808	784/786/790/798/800/801/806	6	2.5	138	40	850	878	M12	70	15,45	1
2-S2-R-A-W5*-806-832	806	832	807,2/808/812,8/820/822/824/826/830	6	2.5	138	40	874	902	M12	70	15,92	1
2-S2-R-A-W5*-828-854	828	854	832/840/842/848/852	6	2.5	138	40	896	924	M12	70	16,35	1
2-S2-R-A-W5*-856-882	856	882	859,5/864/868/869/879/880	6	2.5	138	40	924	952	M12	70	16,90	1
2-S2-R-A-W5*-882-908	882	908	886/891/896/900/903/905,8	6	2.5	138	40	950	978	M12	70	17,41	1
2-S2-R-A-W5*-904-930	904	930	912,4/914,4/915/920/924/927/928	6	2.5	138	40	972	1000	M12	70	17,84	1
2-S2-R-B-W5*-936-962	936	962	940/945/950/951/952/956/960	6	2.5	140	40	1004	1032	M12	80	25,85	1
2-S2-R-B-W5*-961-987	961	987	964,2/965/970/977/978/984,5	6	2.5	140	40	1029	1057	M12	80	26,54	1
2-S2-R-B-W5*-984-1010	984	1010	989/990/992/996/1000/1008	6	2.5	140	40	1052	1080	M12	80	27,17	1
2-S2-R-B-W5*-1004-1030	1004	1030	1015/1016/1020/1024/1027	6	2.5	140	40	1072	1100	M12	80	27,72	1
2-S2-R-B-W5*-1044-1070	1044	1070	1044/1048/1054/1057/1068,3	6	2.5	140	40	1116	1146	M12	80	28,82	1
2-S2-R-B-W5*-1076-1102	1076	1102	1080/1086/1090,2/1100	6	2.5	140	40	1148	1178	M12	80	29,70	1
2-S2-R-B-W5*-1104-1130	1104	1130	1118/1120,6/1128	6	2.5	140	40	1176	1206	M12	80	30,46	1
2-S3-R-B-W5*-1138-1177	1138	1177	1143/1144/1152/1167/1172,5/1174	6	2.5	140	40	1223	1253	M12	80	31,48	1
2-S3-R-B-W5*-1192-1231	1192	1231	1200/1220/1228	6	2.5	140	40	1277	1307	M12	80	32,96	1
2-S3-R-B-W5*-1241-1280	1241	1280	1255/1256/1261/1276,6	6	2.5	140	40	1326	1356	M12	80	34,31	1
2-S3-R-B-W5*-1331-1370	1331	1370	1358	6	2.5	140	40	1416	1446	M12	80	36,78	1
2-S3-R-B-W5*-1413-1452	1413	1452	1420/1422/1449	6	2.5	140	40	1498	1528	M12	80	39,03	1
2-S3-R-B-W5*-1432-1471	1432	1471	1462/1468	6	2.5	142	40	1517	1547	M12	80	39,55	1
2-S3-R-C-W5*-1529-1568	1529	1568	1560/1565	6	2.5	142	40	1614	1644	M12	80	59,10	1
2-S4-R-C-W5*-1620-1672	1620	1672	1620/1626/1640/1668	6	2.5	142	40	1718	1748	M12	80	62,71	1
2-S4-R-C-W5*-1827-1879	1827	1879	1820/1829/1844/1875	6	2.5	142	40	1925	1955	M12	80	70,66	1
2-S4-R-C-W5*-2000-2052	2000	2052	2020/2032/2048	6	2.5	142	40	2098	2128	M12	80	77,31	1
2-S4-R-C-W5*-2038-2090	2038	2090	2082	6	2.5	142	40	2136	2166	M12	80	78,77	1

*Article Nr.: E for EPDM, N for NBR and V for Viton.

INSERTS

Economy Insert

- + Suitable for PE, PVC, PP and PB plastic pipes
- + Stainless steel 1.4310 (W2) quality
- + Insert without range
- + Other dimensions on request



Article Nr.	D (mm)	E (mm)	SDR	L (mm)
IS1.040.037	40	3.7	11.0	100
IS1.050.046	50	4.6	11.0	100
IS1.050.029	50	2.9	17.6 / 17.0	100
IS1.063.058	63	5.8	11.0	100
IS1.063.036	63	3.6	17.6 / 17.0	100
IS1.075.068	75	6.8	11.0	100
IS1.075.043	75	4.3	17.6 / 17.0	100
IS1.090.082	90	8.2	11.0	120
IS1.090.052	90	5.2	17.6 / 17.0	120
IS1.110.100	110	10.0	11.0	120
IS1.110.063	110	6.3	17.6 / 17.0	120
IS1.125.114	125	11.4	11.0	120
IS1.125.072	125	7.2	17.6 / 17.0	120
IS1.140.127	140	12.7	11.0	140
IS1.140.080	140	8.0	17.6 / 17.0	140
IS1.160.146	160	14.6	11.0	140
IS1.160.091	160	9.1	17.6 / 17.0	140
IS1.180.164	180	16.4	11.0	140
IS1.180.107	180	10.7	17.0	140
IS1.180.103	180	10.3	17.6	140
IS1.200.182	200	18.2	11.0	160
IS1.200.119	200	11.9	17.0	160
IS1.200.114	200	11.4	17.6	160
IS1.225.205	225	20.5	11.0	160
IS1.225.134	225	13.4	17.0	160
IS1.225.128	225	12.8	17.6	160
IS1.250.228	250	22.8	11.0	160
IS1.250.148	250	14.8	17.0	160
IS1.250.143	250	14.3	17.6	160
IS1.280.255	280	25.5	11.0	160
IS1.280.166	280	16.6	17.0	160
IS1.280.160	280	16.0	17.6	160
IS1.315.287	315	28.7	11.0	160
IS1.315.187	315	18.7	17.0	160
IS1.315.179	315	17.9	17.6	160
IS1.355.323	355	32.3	11.0	160
IS1.355.211	355	21.1	17.0	160
IS1.355.202	355	20.2	17.6	160

Insert with wedge

- + Suitable for PE, PVC, PP or PB plastic pipes
- + Stainless steel 1.4310 (W2) quality
- + Insert with range
- + Other dimensions on request



Article Nr.	D (mm)	E (mm)	SDR	L (mm)
ISO.063.086	63	8.6	7.4	175
ISO.063.058	63	5.8	11	175
ISO.063.036	63	3.6	17	175
ISO.075.103	75	10.3	7.4	175
ISO.075.068	75	6.8	11	175
ISO.075.043	75	4.3	17	175
ISO.090.123	90	12.3	7.4	175
ISO.090.082	90	8.2 / 8.7	11	175
ISO.090.054	90	5.4 / 5.1	17 / 17.6	175
ISO.090.027	90	2.7 / 2.2	41	175
ISO.110.151	110	15.1	7.4	175
ISO.110.100	110	10 / 9.5	11	175
ISO.110.066	110	6.6 / 6.3	17 / 17.6	175
ISO.125.114	125	11.4	11	175
ISO.125.074	125	7.4 / 7.1	17 / 17.6	175
ISO.125.037	125	3.7 / 3.1	41	175
ISO.140.128	140	12.8	11	175
ISO.140.080	140	8	17.6	175
ISO.160.146	160	14.6	11	200
ISO.160.095	160	9.5 / 9.1	17 / 17.6	200
ISO.160.045	160	4.5 / 3.9	41	200
ISO.180.164	180	16.4	11	200
ISO.180.107	180	10.7 / 10.2	17 / 17.6	200
ISO.180.060	180	6	33	200
ISO.200.182	200	18.2	11	200
ISO.200.119	200	11.9 / 11.4	17 / 17.6	200
ISO.200.069	200	6.9	33	200
ISO.225.205	225	20.5	11	225
ISO.225.134	225	13.4 / 12.8	17 / 17.6	225
ISO.225.063	225	6.3 / 5.5	41	225
ISO.250.227	250	22.7	11	225
ISO.250.148	250	14.8 / 14.2	17 / 17.6	225
ISO.280.254	280	25.4	11	225
ISO.280.166	280	16.6 / 15.9	17 / 17.6	225
ISO.315.286	315	28.6	11	225
ISO.315.187	315	18.7	17	225
ISO.315.179	315	17.9	17.6	225
ISO.355.323	355	32.3	11	225
ISO.355.211	355	21.1	17	225
ISO.355.201	355	20.1	17.6	225

UNI-FIRE Ø 21 - 425 MM

Fire protective housing

- + Suitable for any type of coupling
- + Stainless steel 1.4571 (W5) quality
- + Transforms regular couplings into fire protective couplings
- + Other dimensions on request

Article Nr.	OD Ø min.	OD Ø max.	Compatible with coupling range
1-V-W5-21-29	21	29	21-24 / 26-29
1-V-W5-29-36	29	36	29-32 / 33-36
1-V-W5-36-43	36	43	36-39 / 39-43
1-V-W5-43-52,5	43	52.5	43-47.5 / 47,5-52,5
1-V-W5-52,5-64	52.5	64	52,5-58 / 58-64
1-V-W5-64-80	64	80	64-72 / 72-80
1-V-W5-80-96	80	96	80-88 / 88-96
1-V-W5-97-113	97	113	97-105 / 104-112
1-V-W5-113-130	113	130	112-120 / 122-130
1-V-W5-130-138	130	138	129-137
1-V-W5-138-146	138	146	137-145
1-V-W5-149-157	149	157	149-157
1-V-W5-157-165	157	165	157-165
1-V-W5-164-172	164	172	164-172
2-V-W5-175-185	175	185	175-185
2-V-W5-188-198	188	198	188-198
2-V-W5-201-211	201	211	201-211
2-V-W5-213-223	213	223	213-223
2-V-W5-224-234	224	234	224-234
2-V-W5-237-247	237	247	237-247
2-V-W5-250-260	250	260	250-260
2-V-W5-266-276	266	276	266-276
2-V-W5-280-290	280	290	280-290
2-V-W5-291-301	291	301	291-301
2-V-W5-304-314	304	314	304-314
2-V-W5-318-328	318	328	318-328
2-V-W5-330-340	330	340	330-340
2-V-W5-343-353	343	353	343-353
2-V-W5-353-363	353	363	353-363
2-V-W5-364-374	364	374	364-374
2-V-W5-377-387	377	387	377-387
2-V-W5-390-400	390	400	390-400
2-V-W5-403-413	403	413	403-413
2-V-W5-415-425	415	425	415-425



CHECKLIST FOR INFORMATION REQUEST

Criteria:	Pipe 1:	Pipe 2:
Employed pipe materials acc. DIN / AISI		
Strength of the pipe materials to be joined		
Pipe outside diameters (OD)		
Wall thickness		
Working pressure		
Test pressure		
Connecting technique used		
Medium to be conveyed		
Temperature of medium in °C, min./max.		
Surrounding medium		
Surrounding temperature		
Pipe laying (open, in shaft or buried)		
Type approval desired		
Estimated quantity of joints		

PROJECT PICTURES





