

HEGAWA Long sleeve

UNIVERSAL COUPLINGS

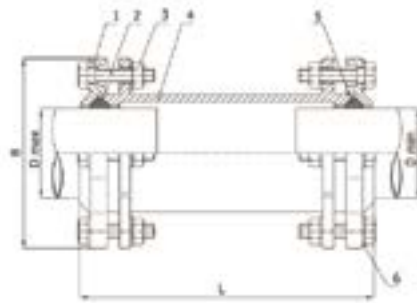
Application

Hegawa Long Sleeve Universal Couplings for cast iron, steel and PE/PVC pipes for water and wastewater. The full sleeve with rubber seal is used for connecting and repairing cast iron, steel and PVC pipes (including any combination).



Pipe Couplings

DN mm	Range	Length L mm	Width B mm	Weight kg
80	84-99	365+-5	215	13,1
100	103-118	365+-5	235	14,4
150	157-170	365+-5	300	26,6
200	215-225	365+-5	360	33,80



Material specifications

- Followers/End ring: ductile iron EN-GJS-500-7 to PN-EN 1563:2000 (1)
- Bolts: S235JR, galvanised steel to PN-EN 24017 (2)
- Nuts: S235JR, galvanised steel to PN-EN 24032 (3)
- Middlring: ductile iron EN-GJS-500-7 to PN-EN 1563:2000 (4)
- Gasket: NBR or EPDM to PN-92/C-01604.01 (5)
- Washer: S235JR, galvanised steel to ISO 7089 (6)
- Coating: Epoxy coating, providing a long term corrosion protection along with resistance to abrasion and impact.